



TRAFFIC CRASH REPORT

*DENOTES MANDATORY FIELD FOR SUPPLEMENT REPORT

LOCAL REPORT NUMBER*

2023-00019015

PHOTOS TAKEN
 SECONDARY CRASH
 OH-2
 OH-3
 OH-1P
 PRIVATE PROPERTY
 OTHER

LOCAL INFORMATION
 REPORTING AGENCY NAME*
City of Kent PD
 NCIC*
06703

HIT/SKIP
 1 - SOLVED
 2 - UNSOLVED
 NUMBER OF UNITS
02
 UNIT IN ERROR
 98 - ANIMAL
 99 - UNKNOWN
02

COUNTY* **67** LOCALITY* **1** LOCATION: CITY, VILLAGE, TOWNSHIP*
Kent

CRASH DATE / TIME* **11302023 0451**
 CRASH SEVERITY
 1 - FATAL
 2 - SERIOUS INJURY SUSPECTED
 3 - MINOR INJURY SUSPECTED
 4 - INJURY POSSIBLE
 5 - PROPERTY DAMAGE ONLY
4

ROUTE TYPE **S R** ROUTE NUMBER **59** PREFIX **3** LOCATION ROAD NAME
MAIN ROAD TYPE **S T**

LATITUDE DECIMAL DEGREES
41.153799

ROUTE TYPE **S T** ROUTE NUMBER **59** PREFIX **3** REFERENCE ROAD NAME (ROAD, MILEPOST, HOUSE #)
LINCOLN ROAD TYPE **S T**

LONGITUDE DECIMAL DEGREES
-81.351328

REFERENCE POINT
 1 - INTERSECTION
 2 - MILE POST
 3 - HOUSE #
1
 DIRECTION FROM REFERENCE
 1 - NORTH
 2 - SOUTH
 3 - EAST
 4 - WEST
4
 IR - INTERSTATE ROUTE(TP)
 US - FEDERAL US ROUTE
 SR - STATE ROUTE
 CR - NUMBERED COUNTY ROUTE
 TR - NUMBERED TOWNSHIP ROUTE

INTERSECTION RELATED
 WITHIN INTERSECTION OR ON APPROACH
 WITHIN INTERCHANGE AREA
 NUMBER OF APPROACHES
4

DISTANCE FROM REFERENCE
5
 DISTANCE UNIT OF MEASURE
 1 - MILES
 2 - FEET
 3 - YARDS
2

ROADWAY
 ROADWAY DIVIDED

LOCATION OF FIRST HARMFUL EVENT
 1 - ON ROADWAY
 2 - ON SHOULDER
 3 - IN MEDIAN
 4 - ON ROADSIDE
 5 - ON GORE
 6 - OUTSIDE TRAFFICWAY
 7 - ON RAMP
 8 - OFF RAMP
01

MANNER OF CRASH COLLISION/IMPACT
 1 - NOT COLLISION BETWEEN TWO MOTOR VEHICLES IN TRANSPORT
 2 - REAR-END
 3 - HEAD-ON
 4 - REAR-TO-REAR
 5 - BACKING
 6 - ANGLE
 7 - SIDESWIPE, SAME DIRECTION
 8 - SIDESWIPE, OPPOSITE DIRECTION
 9 - OTHER / UNKNOWN
2

DIRECTION OF TRAVEL
 1 - NORTH
 2 - SOUTH
 3 - EAST
 4 - WEST
 MEDIAN TYPE
 1 - DIVIDED FLUSH MEDIAN (<4 FEET)
 2 - DIVIDED FLUSH MEDIAN (≥4 FEET)
 3 - DIVIDED, DEPRESSED MEDIAN
 4 - DIVIDED, RAISED MEDIAN (ANY TYPE)
 9 - OTHER/UNKNOWN

WORK ZONE RELATED
 WORKERS PRESENT
 LAW ENFORCEMENT PRESENT
 ACTIVE SCHOOL ZONE

WORK ZONE TYPE
 1 - LANE CLOSURE
 2 - LANE SHIFT/CROSSOVER
 3 - WORK ON SHOULDER OR MEDIAN
 4 - INTERMITTENT OR MOVING WORK
 5 - OTHER

LOCATION OF CRASH IN WORK ZONE
 1 - BEFORE THE 1ST WORK ZONE WARNING SIGN
 2 - ADVANCE WARNING AREA
 3 - TRANSITION AREA
 4 - ACTIVITY AREA
 5 - TERMINATION AREA

CONTOUR
1
 1 - STRAIGHT LEVEL
 2 - STRAIGHT GRADE
 3 - CURVE LEVEL
 4 - CURVE GRADE
 9 - OTHER/UNKNOWN

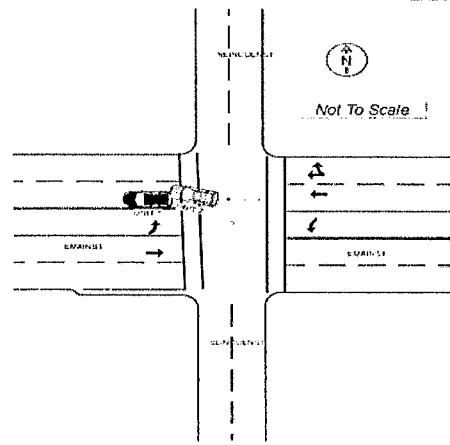
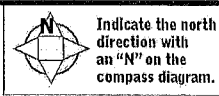
CONDITIONS
1
 1 - DRY
 2 - WET
 3 - SNOW
 4 - ICE
 5 - SAND, MUD, DIRT, OIL, GRAVEL
 6 - WATER (STANDING, MOVING)
 7 - SLUSH
 9 - OTHER/UNKNOWN

SURFACE
2
 1 - CONCRETE
 2 - BLACKTOP, BITUMINOUS, ASPHALT
 3 - BRICK/BLOCK
 4 - SLAG, GRAVEL, STONE
 5 - DIRT
 9 - OTHER/UNKNOWN

LIGHT CONDITION
 1 - DAYLIGHT
 2 - DAWN/DUSK
 3 - DARK - LIGHTED ROADWAY
 4 - DARK - ROADWAY NOT LIGHTED
 5 - DARK - UNKNOWN ROADWAY LIGHTING
 9 - OTHER / UNKNOWN
3

WEATHER
 1 - CLEAR
 2 - CLOUDY
 3 - FOG, SMOG, SMOKE
 4 - RAIN
 5 - SLEET, HAIL
 6 - SNOW
 7 - SEVERE CROSSWINDS
 8 - BLOWING SAND, SOIL, DIRT, SNOW
 9 - FREEZING RAIN OR FREEZING DRIZZLE
 99 - OTHER / UNKNOWN
01

NARRATIVE
UNIT 1 AND 2 WERE DRIVING WESTBOUND ON THE INSIDE LANE OF E MAIN ST. UNIT 1 WAS STOPPED FOR DEER IN THE ROADWAY. UNIT 2 REAR ENDED UNIT 1.



CRASH REPORTED DATE / TIME **11302023 0451** DISPATCH DATE / TIME **11302023 0452** ARRIVAL DATE / TIME **11302023 0455** SCENE CLEARED DATE / TIME **11302023 0525** REPORT TAKEN BY
 POLICE AGENCY
 MOTORIST
 SUPPLEMENT (CORRECTION OR ADDITION TO AN EXISTING REPORT SENT TO GORS)
 TOTAL TIME ROADWAY CLOSED **0** OTHER INVESTIGATION TIME **10** TOTAL MINUTES **43** OFFICER'S NAME* **Driscoll** OFFICER'S BADGE NUMBER* **220** CHECKED BY OFFICER'S NAME* **Wheeler** CHECKED BY OFFICER'S BADGE NUMBER* **243**

OWNER

UNIT # **01** OWNER NAME: LAST, FIRST, MIDDLE (X) (SAME AS DRIVER)
BROEMSEN, TAMMY JO

OWNER PHONE: INCLUDE AREA CODE () (SAME AS DRIVER)
3302818134

OWNER ADDRESS: STREET, CITY, STATE, ZIP () (SAME AS DRIVER)
811 MILL RD RAVENNA, OH 44266

COMMERCIAL CARRIER: NAME, ADDRESS, CITY, STATE, ZIP

COMMERCIAL CARRIER PHONE: INCLUDE AREA CODE

DAMAGE

DAMAGE SCALE

3 1 - NONE 3 - FUNCTIONAL DAMAGE
 2 - MINOR DAMAGE 4 - DISABLING DAMAGE
 9 - UNKNOWN

VEHICLE

LP STATE **OH** LICENSE PLATE # **HZC7334** VEHICLE IDENTIFICATION # **2GKALMEK4G6324247** VEHICLE YEAR **2016** VEHICLE MAKE **GMC**

INSURANCE VERIFIED INSURANCE COMPANY _____ INSURANCE POLICY # _____ COLOR **BLK** VEHICLE MODEL **TERRAIN**

TYPE OF USE: COMMERCIAL GOVERNMENT IN EMERGENCY RESPONSE

US DOT # _____ TOWED BY: COMPANY NAME _____

HAZARDOUS MATERIAL: MATERIAL RELEASED CLASS # _____ PLACARD ID # _____

DAMAGED AREA(S)
 INDICATE ALL THAT APPLY

NO DAMAGE [0] UNDERCARRIAGE [14]
 TOP [13] ALL AREAS [15]
 UNIT NOT AT SCENE [16]

UNIT TYPE **01**

1 - PASSENGER CAR 7 - MOTORCYCLE 2-WHEELED 12 - GOLF CART 18 - LIMO (LIVERY VEHICLE) 23 - PEDESTRIAN / SKATER
 2 - PASSENGER VAN (MINIVAN) 8 - MOTORCYCLE 3-WHEELED 13 - SNOWMOBILE 19 - BUS (16+ PASSENGERS) 24 - WHEELCHAIR (ANY TYPE)
 3 - SPORT UTILITY VEHICLE 9 - AUTOCYCLE 14 - SINGLE UNIT TRUCK 20 - OTHER VEHICLE 25 - OTHER NON-MOTORIST
 4 - PICK UP 10 - MOPED OR MOTORIZED BICYCLE 15 - SEMI-TRACTOR 21 - HEAVY EQUIPMENT 26 - BICYCLE
 5 - CARGO VAN 11 - ALL-TERRAIN VEHICLE (ATV/UTV) 16 - FARM EQUIPMENT 22 - ANIMAL WITH RIDER OR ANIMAL-DRAWN VEHICLE 27 - TRAIN
 6 - VAN (9-15 SEATS) 17 - MOTORHOME 99 - UNKNOWN OR HITS/SKIP

OF TRAILING UNITS _____

WAS VEHICLE OPERATING IN AUTONOMOUS MODE WHEN CRASH OCCURRED? **2**

1 - YES 2 - NO 9 - OTHER / UNKNOWN

AUTONOMOUS MODE LEVEL **0**

0 - NO AUTOMATION 1 - DRIVER ASSISTANCE 2 - PARTIAL AUTOMATION 3 - CONDITIONAL AUTOMATION 4 - HIGH AUTOMATION 5 - FULL AUTOMATION 9 - UNKNOWN

SPECIAL FUNCTION **01**

1 - NONE 6 - BUS - CHARTER/TOUR 11 - FIRE 16 - FARM 21 - MAIL CARRIER
 2 - TAXI 7 - BUS - INTERCITY 12 - MILITARY 17 - MOVING 99 - OTHER / UNKNOWN
 3 - ELECTRONIC RIDE SHARING 8 - BUS - SHUTTLE 13 - POLICE 18 - SNOW REMOVAL
 4 - SCHOOL TRANSPORT 9 - BUS - OTHER 14 - PUBLIC UTILITY 19 - TOWING
 5 - BUS - TRANSIT/COMMUTER 10 - AMBULANCE 15 - CONSTRUCTION EQUIPMENT 20 - SAFETY SERVICE PATROL

CARGO BODY TYPE **01**

1 - NO CARGO BODY TYPE / NOT APPLICABLE 3 - VEHICLE TOWING ANOTHER MOTOR VEHICLE 5 - INTERMODAL CONTAINER CHASSIS 8 - POLE 12 - CONCRETE MIXER
 2 - BUS 4 - LOGGING 6 - CARGO VAN/ENCLOSED BOX 9 - CARGO TANK 13 - AUTOTRANSPORTER
 7 - GRAIN/CHIPS/GRAVEL 11 - DUMP 10 - FLAT BED 14 - GARBAGE/REFUSE 99 - OTHER / UNKNOWN

VEHICLE DEFECTS **01**

1 - TURN SIGNALS 4 - BRAKES 7 - WORN OR SLICK TIRES 9 - MOTOR TROUBLE 99 - OTHER / UNKNOWN
 2 - HEAD LAMPS 5 - STEERING 8 - TRAILER EQUIPMENT DEFECTIVE 10 - DISABLED FROM PRIOR ACCIDENT
 3 - TAIL LAMPS 6 - TIRE BLOWOUT

NON-MOTORIST LOCATION AT IMPACT **01**

1 - INTERSECTION - MARKED CROSSWALK 3 - INTERSECTION - OTHER 6 - BICYCLE LANE 9 - MEDIAN/CROSSING ISLAND 12 - FIRST RESPONDER AT INCIDENT SCENE
 2 - INTERSECTION - UNMARKED CROSSWALK 4 - MIDBLOCK - MARKED CROSSWALK 7 - SHOULDER / ROADSIDE 10 - DRIVEWAY ACCESS 19 - OTHER / UNKNOWN
 5 - TRAVEL LANE - OTHER LOCATION 8 - SIDEWALK 11 - SHARED USE PATHS OR TRAILS

ACTION **4**

1 - NON-CONTACT 1 - STRAIGHT AHEAD 7 - MAKING U-TURN 13 - NEGOTIATING A CURVE 18 - APPROACHING OR LEAVING VEHICLE
 2 - NON-COLLISION 2 - BACKING 8 - ENTERING TRAFFIC LANE 14 - ENTERING OR CROSSING SPECIFIED LOCATION 19 - STANDING
 3 - STRIKING 3 - CHANGING LANES 9 - LEAVING TRAFFIC LANE 15 - WALKING, RUNNING, JOGGING, PLAYING 20 - OTHER NON-MOTORIST
 4 - STRUCK PRE-CRASH ACTIONS 4 - OVERTAKING/PASSING 10 - PARKED 16 - WORKING 21 - STANDING OUTSIDE DISABLED VEHICLE
 5 - BOTH STRIKING & STRUCK 5 - MAKING RIGHT TURN 11 - SLOWING OR STOPPED IN TRAFFIC 17 - PUSHING VEHICLE 99 - OTHER / UNKNOWN
 9 - OTHER / UNKNOWN 6 - MAKING LEFT TURN 12 - DRIVERLESS

INITIAL POINT OF CONTACT

06 0 - NO DAMAGE 14 - UNDERCARRIAGE
 1-12 - REFER TO UNIT DIAGRAM 15 - VEHICLE NOT AT SCENE
 13 - TOP 99 - UNKNOWN

CONTRIBUTING CIRCUMSTANCES **01**

1 - NONE 7 - LEFT OF CENTER 13 - IMPROPER START FROM A PARKED POSITION 17 - VISION OBSTRUCTION 21 - LYING IN ROADWAY
 2 - FAILURE TO YIELD 8 - FOLLOWING TOO CLOSE / A/C/D/A 14 - STOPPED OR PARKED ILLEGALLY 18 - OPERATING DEFECTIVE EQUIPMENT 22 - NOT DISCERNIBLE
 3 - RAN RED LIGHT 9 - IMPROPER LANE CHANGE 15 - SWERVING TO AVOID 19 - LOAD SHIFTING/FALLING/SPILLING 23 - OPENING DOOR INTO ROADWAY
 4 - RAN STOP SIGN 10 - IMPROPER PASSING 16 - WRONG WAY 20 - IMPROPER CROSSING 99 - OTHER IMPROPER ACTION
 5 - UNSAFE SPEED 11 - DROVE OFF ROAD 12 - IMPROPER BACKING

TRAFFIC

TRAFFICWAY FLOW **2** 1 - ONE-WAY 2 - TWO-WAY

TRAFFIC CONTROL **2** 1 - ROUNDABOUT 4 - STOP SIGN
 2 - SIGNAL 5 - YIELD SIGN
 3 - FLASHER 6 - NO CONTROL

SEQUENCE OF EVENTS **1 2 0**

1 - OVERTURN/ROLLOVER 6 - EQUIPMENT FAILURE 11 - CROSS CENTERLINE - OPPOSITE DIRECTION OF TRAVEL 16 - RAILWAY VEHICLE 22 - WORK ZONE MAINTENANCE EQUIPMENT
 2 - FIRE/EXPLOSION 7 - SEPARATION OF UNITS 12 - DOWNHILL RUNAWAY 17 - ANIMAL - FARM 23 - STRUCK BY FALLING, SHIFTING CARGO OR ANYTHING SET IN MOTION BY A MOTOR VEHICLE
 3 - IMMERSION 8 - RAN OFF ROAD RIGHT 13 - OTHER NON-COLLISION 18 - ANIMAL - DEER 24 - OTHER MOVABLE OBJECT
 4 - JACKKNIFE 9 - RAN OFF ROAD LEFT 14 - PEDESTRIAN 19 - ANIMAL - OTHER 20 - MOTOR VEHICLE IN TRANSPORT
 5 - CARGO / EQUIPMENT LOSS OR SHIFT 10 - CROSS MEDIAN 15 - PEDALCYCLE 21 - PARKED MOTOR VEHICLE

OF THROUGH LANES ON ROAD **4**

RAIL GRADE CROSSING **1**
 1 - NOT INVOLVED
 2 - INVOLVED-ACTIVE CROSSING
 3 - INVOLVED-PASSIVE CROSSING

EVENT(S)

COLLISION WITH FIXED OBJECT - STRUCK

25 - IMPACT ATTENUATOR / CRASH CUSHION 31 - GUARDRAIL END 37 - TRAFFIC SIGN POST 43 - CURB
 26 - BRIDGE OVERHEAD STRUCTURE 32 - PORTABLE BARRIER 38 - OVERHEAD SIGN POST 44 - DITCH
 27 - BRIDGE PIER OR ABUTMENT 33 - MEDIAN CABLE BARRIER 39 - LIGHT / LUMINARIES SUPPORT 45 - EMBANKMENT
 28 - BRIDGE PARAPET 34 - MEDIAN GUARDRAIL BARRIER 40 - UTILITY POLE 46 - FENCE
 29 - BRIDGE RAIL 35 - MEDIAN CONCRETE BARRIER 41 - OTHER POST, POLE OR SUPPORT 47 - MAILBOX
 30 - GUARDRAIL FACE 36 - MEDIAN OTHER BARRIER 42 - CULVERT 48 - TREE
 49 - FIRE HYDRANT

50 - WORK ZONE MAINTENANCE EQUIPMENT 51 - WALL 52 - BUILDING 53 - TUNNEL 54 - OTHER FIXED OBJECT 99 - OTHER / UNKNOWN

UNIT SPEED **0** POSTED SPEED **3 5**

DETECTED SPEED **1**
 1 - STATED / ESTIMATED SPEED
 2 - CALCULATED / EDR
 3 - UNDETERMINED

UNIT / NON-MOTORIST DIRECTION

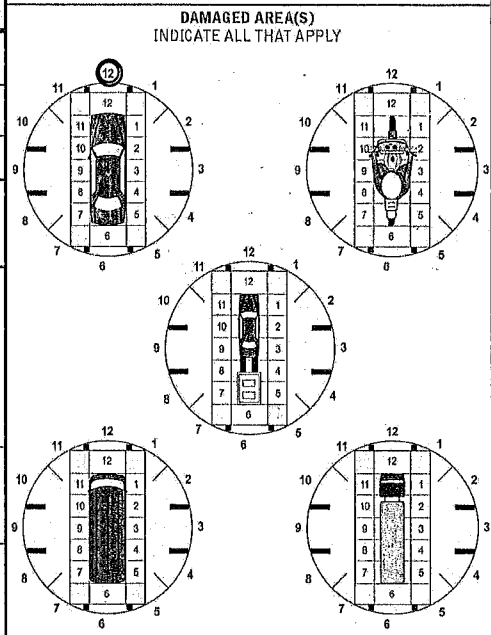
FROM **3** TO **4**

1 - NORTH 5 - NORTHEAST
 2 - SOUTH 6 - NORTHWEST
 3 - EAST 7 - SOUTHEAST
 4 - WEST 8 - SOUTHWEST
 9 - OTHER / UNKNOWN

OWNER
 UNIT # 02 OWNER NAME: LAST, FIRST, MIDDLE (X) SAME AS DRIVER
HOUSTON, STEVEN ALLAN
 OWNER ADDRESS: STREET, CITY, STATE, ZIP () SAME AS DRIVER
6307 JEAN DR RAVENNA, OH 44266
 COMMERCIAL CARRIER: NAME, ADDRESS, CITY, STATE, ZIP
 COMMERCIAL CARRIER PHONE: INCLUDE AREA CODE

DAMAGE
 DAMAGE SCALE
 3 3 1 - NONE 3 - FUNCTIONAL DAMAGE
 2 - MINOR DAMAGE 4 - DISABLING DAMAGE
 9 - UNKNOWN

VEHICLE
 LP STATE OH LICENSE PLATE # JJG6199 VEHICLE IDENTIFICATION # 2CNDL43F896241420 VEHICLE YEAR 2009 VEHICLE MAKE Chevrolet
 INSURANCE VERIFIED INSURANCE COMPANY INSURANCE POLICY # COLOR SILVER VEHICLE MODEL EQX
 COMMERCIAL GOVERNMENT IN EMERGENCY RESPONSE US DOT # TOWED BY: COMPANY NAME
 INTERLOCK DEVICE EQUIPPED HIT/SKIP UNIT #OCCUPANTS 02 VEHICLE WEIGHT GVWR/GCWR 1 - ≤10K LBS. 2 - 10,001 - 26K LBS. 3 - >26K LBS. HAZARDOUS MATERIAL MATERIAL RELEASED CLASS # PLACARD ID # PLACARD



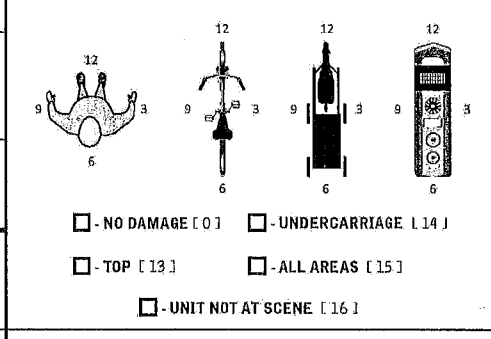
UNIT TYPE 01
 1 - PASSENGER CAR 7 - MOTORCYCLE 2-WHEELED 12 - GOLF CART 18 - LIMO (LIVERY VEHICLE) 23 - PEDESTRIAN / SKATER
 2 - PASSENGER VAN (MINIVAN) 8 - MOTORCYCLE 3-WHEELED 13 - SNOWMOBILE 19 - BUS (16+ PASSENGERS) 24 - WHEELCHAIR (ANY TYPE)
 3 - SPORT UTILITY VEHICLE 9 - AUTOCYCLE 14 - SINGLE UNIT TRUCK 20 - OTHER VEHICLE 25 - OTHER NON-MOTORIST
 4 - PICK UP 10 - MOPED OR MOTORIZED BICYCLE 15 - SEMI-TRACTOR 21 - HEAVY EQUIPMENT 26 - BICYCLE
 5 - CARGO VAN 11 - ALL-TERRAIN VEHICLE (ATV/UTV) 16 - FARM EQUIPMENT 22 - ANIMAL WITH RIDER OR ANIMAL-DRAWN VEHICLE 27 - TRAIN
 6 - VAN (9-15 SEATS) 99 - UNKNOWN OR HITSKIP

OF TRAILING UNITS 00
 WAS VEHICLE OPERATING IN AUTONOMOUS MODE WHEN CRASH OCCURRED? 0 0 - NO AUTOMATION 3 - CONDITIONAL AUTOMATION 9 - UNKNOWN
 1 - YES 2 - NO 9 - OTHER / UNKNOWN 1 - DRIVER ASSISTANCE 4 - HIGH AUTOMATION 2 - PARTIAL AUTOMATION 5 - FULL AUTOMATION

SPECIAL FUNCTION 01
 1 - NONE 6 - BUS - CHARTER/TOUR 11 - FIRE 16 - FARM 21 - MAIL CARRIER
 2 - TAXI 7 - BUS - INTERCITY 12 - MILITARY 17 - MOWING 99 - OTHER / UNKNOWN
 3 - ELECTRONIC RIDE SHARING 8 - BUS - SHUTTLE 13 - POLICE 18 - SNOW REMOVAL
 4 - SCHOOL TRANSPORT 9 - BUS - OTHER 14 - PUBLIC UTILITY 19 - TOWING
 5 - BUS - TRANSIT/COMMUTER 10 - AMBULANCE 15 - CONSTRUCTION EQUIPMENT 20 - SAFETY SERVICE PATROL

CARGO BODY TYPE 01
 1 - NO CARGO BODY TYPE / NOT APPLICABLE 3 - VEHICLE TOWING ANOTHER MOTOR VEHICLE 5 - INTERMODAL CONTAINER CHASSIS 8 - POLE 12 - CONCRETE MIXER
 2 - BUS 4 - LOGGING 6 - CARGO VAN/ENCLOSED BOX 9 - CARGO TANK 13 - AUTO TRANSPORTER
 7 - GRAIN/CHIPS/GRAVEL 11 - DUMP 10 - FLAT BED 14 - GARBAGE/REFUSE 99 - OTHER / UNKNOWN

VEHICLE DEFECTS
 1 - TURN SIGNALS 4 - BRAKES 7 - WORN OR SLICK TIRES 9 - MOTOR TROUBLE 99 - OTHER / UNKNOWN
 2 - HEAD LAMPS 5 - STEERING 8 - TRAILER EQUIPMENT DEFECTIVE 10 - DISABLED FROM PRIOR ACCIDENT
 3 - TAIL LAMPS 6 - TIRE BLOWOUT



NON-MOTORIST LOCATION AT IMPACT
 1 - INTERSECTION - MARKED CROSSWALK 3 - INTERSECTION - OTHER 6 - BICYCLE LANE 9 - MEDIUM CROSSING ISLAND 12 - FIRST RESPONDER AT INCIDENT SCENE
 2 - INTERSECTION - UNMARKED CROSSWALK 4 - MIDBLOCK - MARKED CROSSWALK 7 - SHOULDER / ROADSIDE 10 - DRIVEWAY ACCESS 19 - OTHER / UNKNOWN
 5 - TRAVEL LANE - OTHER LOCATION 8 - SIDEWALK 11 - SHARED USE PATHS OR TRAILS

ACTION 01
 1 - NON-CONTACT 1 - STRAIGHT AHEAD 7 - MAKING U-TURN 13 - NEGOTIATING A CURVE 18 - APPROACHING OR LEAVING VEHICLE
 2 - NON-COLLISION 2 - BACKING 8 - ENTERING TRAFFIC LANE 14 - ENTERING OR CROSSING SPECIFIED LOCATION 19 - STANDING
 3 - STRIKING 3 - CHANGING LANES 9 - LEAVING TRAFFIC LANE 15 - WALKING, RUNNING, JOGGING, PLAYING 20 - OTHER NON-MOTORIST
 4 - STRUCK PRE-CRASH ACTIONS 4 - OVERTAKING/PASSING 10 - PARKED 16 - WORKING 21 - STANDING OUTSIDE DISABLED VEHICLE
 5 - BOTH STRIKING & STRUCK 5 - MAKING RIGHT TURN 11 - SLOWING OR STOPPED IN TRAFFIC 17 - PUSHING VEHICLE 99 - OTHER / UNKNOWN
 9 - OTHER / UNKNOWN 6 - MAKING LEFT TURN 12 - DRIVERLESS

INITIAL POINT OF CONTACT
 0 - NO DAMAGE 14 - UNDERCARRIAGE
 1-12 - REFER TO UNIT DIAGRAM 15 - VEHICLE NOT AT SCENE
 13 - TOP 99 - UNKNOWN

CONTRIBUTING CIRCUMSTANCES 08
 1 - NONE 7 - LEFT OF CENTER 13 - IMPROPER START FROM A PARKED POSITION 17 - VISION OBSTRUCTION 21 - LYING IN ROADWAY
 2 - FAILURE TO YIELD 8 - FOLLOWING TOO CLOSE / ACDA 14 - STOPPED OR PARKED ILLEGALLY 18 - OPERATING DEFECTIVE EQUIPMENT 22 - NOT DISCERNIBLE
 3 - RAN RED LIGHT 9 - IMPROPER LANE CHANGE 15 - SWERVING TO AVOID 19 - LOAD SHIFTING/FALLING/SPILLING 23 - OPENING DOOR INTO ROADWAY
 4 - RAN STOP SIGN 10 - IMPROPER PASSING 16 - WRONG WAY 20 - IMPROPER CROSSING 99 - OTHER IMPROPER ACTION
 5 - UNSAFE SPEED 11 - DROVE OFF ROAD 17 - VISION OBSTRUCTION 21 - LYING IN ROADWAY
 6 - IMPROPER TURN 12 - IMPROPER BACKING

TRAFFICWAY FLOW 2 TRAFFIC CONTROL 2
 1 - ONE-WAY 2 - TWO-WAY
 1 - ROUNDABOUT 4 - STOP SIGN
 2 - SIGNAL 5 - YIELD SIGN
 3 - FLASHER 6 - NO CONTROL

SEQUENCE OF EVENTS
 1 20 1 - OVERTURN/ROLLOVER 6 - EQUIPMENT FAILURE 11 - CROSS CENTERLINE - OPPOSITE DIRECTION OF TRAVEL 16 - RAILWAY VEHICLE 22 - WORK ZONE MAINTENANCE EQUIPMENT
 2 - FIRE/EXPLOSION 7 - SEPARATION OF UNITS 12 - DOWNHILL RUNAWAY 17 - ANIMAL - FARM 23 - STRUCK BY FALLING, SHIFTING CARGO OR ANYTHING SET IN MOTION BY A MOTOR VEHICLE
 3 - IMMERSION 8 - RAN OFF ROAD RIGHT 13 - OTHER NON-COLLISION 18 - ANIMAL - DEER 24 - OTHER MOVABLE OBJECT
 4 - JACKKNIFE 9 - RAN OFF ROAD LEFT 14 - PEDESTRIAN 19 - ANIMAL - OTHER 20 - MOTOR VEHICLE IN TRANSPORT
 5 - CARGO / EQUIPMENT LOSS OR SHIFT 10 - CROSS MEDIAN 15 - PEDALCYCLE 21 - PARKED MOTOR VEHICLE
 6 - IMPROPER TURN 12 - IMPROPER BACKING

OF THROUGH LANES ON ROAD 4 RAIL GRADE CROSSING 1
 1 - NOT INVOLVED
 2 - INVOLVED - ACTIVE CROSSING
 3 - INVOLVED - PASSIVE CROSSING

COLLISION WITH FIXED OBJECT - STRUCK
 25 - IMPACT ATTENUATOR / CRASH CUSHION 31 - GUARDRAIL END 37 - TRAFFIC SIGN POST 43 - CURB 50 - WORK ZONE MAINTENANCE EQUIPMENT
 26 - BRIDGE OVERHEAD STRUCTURE 32 - PORTABLE BARRIER 38 - OVERHEAD SIGN POST 44 - DITCH 51 - WALL
 27 - BRIDGE PIER OR ABUTMENT BARRIER 33 - MEDIUM CABLE BARRIER 39 - LIGHT / LUMINARIES SUPPORT 45 - EMBANKMENT 52 - BUILDING
 28 - BRIDGE PARAPET 34 - MEDIUM GUARDRAIL BARRIER 40 - UTILITY POLE 46 - FENCE 53 - TUNNEL
 29 - BRIDGE RAIL 35 - MEDIUM CONCRETE BARRIER 41 - OTHER POST, POLE OR SUPPORT 47 - MAILBOX 54 - OTHER FIXED OBJECT
 30 - GUARDRAIL FACE 36 - MEDIUM OTHER BARRIER 42 - CULVERT 48 - TREE 99 - OTHER / UNKNOWN
 49 - FIRE HYDRANT

UNIT / NON-MOTORIST DIRECTION
 FROM 3 TO 4
 1 - NORTH 5 - NORTHEAST
 2 - SOUTH 6 - NORTHWEST
 3 - EAST 7 - SOUTHEAST
 4 - WEST 8 - SOUTHWEST
 9 - OTHER / UNKNOWN

UNIT SPEED 35 DETECTED SPEED 1
 1 - STATED / ESTIMATED SPEED
 2 - CALCULATED / EDR
 3 - UNDETERMINED
 POSTED SPEED 35



MOTORIST / Non-MOTORIST

LOCAL REPORT NUMBER
2023-00019015

UNIT # 01	NAME: LAST, FIRST, MIDDLE BROEMSEN, TAMMY JO	DATE OF BIRTH 11021969	AGE 54	GENDER F
ADDRESS: STREET, CITY, STATE, ZIP 811 MILL RD RAVENNA, OH 44266		CONTACT PHONE - INCLUDE AREA CODE 3302818134		

INJURIES 5	INJURED TAKEN BY	EMS AGENCY (NAME)	INJURED TAKEN TO: MEDICAL FACILITY (NAME, CITY)	SAFETY EQUIPMENT USED 04	<input type="checkbox"/> DOT-COMPLIANT MC HELMET	SEATING POSITION 01	AIR BAG USAGE 1	EJECTION 1	TRAPPED 1	
OL STATE OH	OPERATOR LICENSE NUMBER RT712499	OFFENSE CHARGED	LOCAL CODE	OFFENSE DESCRIPTION		CITATION NUMBER				
OL CLASS 4	ENDORSEMENT SELECT UP TO 2	RESTRICTION SELECT UP TO 3	DRIVER DISTRACTED BY 1	ALCOHOL / DRUG SUSPECTED <input type="checkbox"/> ALCOHOL <input type="checkbox"/> MARIJUANA <input type="checkbox"/> OTHER DRUG		CONDITION 1	ALCOHOL TEST STATUS TYPE VALUE		DRUG TEST(S) STATUS TYPE RESULT SELECT UP TO 4	

UNIT # 02	NAME: LAST, FIRST, MIDDLE HOUSTON, STEVEN ALLAN	DATE OF BIRTH 04221976	AGE 47	GENDER F
ADDRESS: STREET, CITY, STATE, ZIP 6307 JEAN DR RAVENNA, OH 44266		CONTACT PHONE - INCLUDE AREA CODE 3137368863		

INJURIES 5	INJURED TAKEN BY	EMS AGENCY (NAME)	INJURED TAKEN TO: MEDICAL FACILITY (NAME, CITY)	SAFETY EQUIPMENT USED 04	<input type="checkbox"/> DOT-COMPLIANT MC HELMET	SEATING POSITION 01	AIR BAG USAGE 1	EJECTION 1	TRAPPED 1	
OL STATE OH	OPERATOR LICENSE NUMBER VF517332	OFFENSE CHARGED 333.03	LOCAL CODE K	OFFENSE DESCRIPTION Speed/ACD		CITATION NUMBER 25348				
OL CLASS 4	ENDORSEMENT SELECT UP TO 2	RESTRICTION SELECT UP TO 3	DRIVER DISTRACTED BY 1	ALCOHOL / DRUG SUSPECTED <input type="checkbox"/> ALCOHOL <input type="checkbox"/> MARIJUANA <input type="checkbox"/> OTHER DRUG		CONDITION 1	ALCOHOL TEST STATUS TYPE VALUE		DRUG TEST(S) STATUS TYPE RESULT SELECT UP TO 4	

UNIT #	NAME: LAST, FIRST, MIDDLE	DATE OF BIRTH	AGE	GENDER
ADDRESS: STREET, CITY, STATE, ZIP		CONTACT PHONE - INCLUDE AREA CODE		

INJURIES	INJURED TAKEN BY	EMS AGENCY (NAME)	INJURED TAKEN TO: MEDICAL FACILITY (NAME, CITY)	SAFETY EQUIPMENT USED	<input type="checkbox"/> DOT-COMPLIANT MC HELMET	SEATING POSITION	AIR BAG USAGE	EJECTION	TRAPPED	
OL STATE	OPERATOR LICENSE NUMBER	OFFENSE CHARGED	LOCAL CODE	OFFENSE DESCRIPTION		CITATION NUMBER				
OL CLASS	ENDORSEMENT SELECT UP TO 2	RESTRICTION SELECT UP TO 3	DRIVER DISTRACTED BY	ALCOHOL / DRUG SUSPECTED <input type="checkbox"/> ALCOHOL <input type="checkbox"/> MARIJUANA <input type="checkbox"/> OTHER DRUG		CONDITION	ALCOHOL TEST STATUS TYPE VALUE		DRUG TEST(S) STATUS TYPE RESULT SELECT UP TO 4	

INJURIES	SEATING POSITION	AIR BAG	OL CLASS	OL RESTRICTION(S)	DRIVER DISTRACTION	TEST STATUS
1 - FATAL	1 - FRONT - LEFT SIDE (MOTORCYCLE DRIVER)	1 - NOT DEPLOYED	1 - CLASS A	1 - ALCOHOL INTERLOCK DEVICE	1 - NOT DISTRACTED	1 - NONE GIVEN
2 - SUSPECTED SERIOUS INJURY	2 - FRONT - MIDDLE	2 - DEPLOYED FRONT	2 - CLASS B	2 - CDL INTRASTATE ONLY	2 - MANUALLY OPERATING AN ELECTRONIC COMMUNICATION DEVICE (TEXTING, TYPING, DIALING)	2 - TEST REFUSED
3 - SUSPECTED MINOR INJURY	3 - FRONT - RIGHT SIDE	3 - DEPLOYED SIDE	3 - CLASS C	3 - CORRECTIVE LENSES	3 - TALKING ON HANDS-FREE COMMUNICATION DEVICE	3 - TEST GIVEN, CONTAMINATED SAMPLE / UNUSABLE
4 - POSSIBLE INJURY	4 - SECOND - LEFT SIDE (MOTORCYCLE PASSENGER)	4 - DEPLOYED BOTH FRONT / SIDE	4 - REGULAR CLASS (OHIO = D)	4 - FARM WAIVER	4 - TALKING ON HAND-HELD COMMUNICATION DEVICE	4 - TEST GIVEN, RESULTS KNOWN
5 - NO APPARENT INJURY	5 - SECOND - MIDDLE	5 - NOT APPLICABLE	5 - M/C MOPED ONLY	5 - EXCEPT CLASS A BUS	5 - OTHER ACTIVITY WITH AN ELECTRONIC DEVICE	5 - TEST GIVEN, RESULTS UNKNOWN
INJURED TAKEN BY	6 - SECOND - RIGHT SIDE	9 - DEPLOYMENT UNKNOWN	6 - NO VALID OL	6 - EXCEPT CLASS A & CLASS B BUS	6 - PASSENGER	ALCOHOL TEST TYPE
1 - NOT TRANSPORTED / TREATED AT SCENE	7 - THIRD - LEFT SIDE (MOTORCYCLE SIDE CAR)	EJECTION	OL ENDORSEMENT	7 - EXCEPT TRACTOR-TRAILER	7 - OTHER DISTRACTION INSIDE THE VEHICLE	1 - NONE
2 - EMS	8 - THIRD - MIDDLE	1 - NOT EJECTED	H - HAZMAT	8 - INTERMEDIATE LICENSE RESTRICTIONS	8 - OTHER DISTRACTION OUTSIDE THE VEHICLE	2 - BLOOD
3 - POLICE	9 - THIRD - RIGHT SIDE	2 - PARTIALLY EJECTED	M - MOTORCYCLE	9 - LEARNER'S PERMIT RESTRICTIONS	9 - OTHER / UNKNOWN	3 - URINE
9 - OTHER / UNKNOWN	10 - SLEEPER SECTION OF TRUCK CAB	3 - TOTALLY EJECTED	P - PASSENGER	10 - LIMITED TO DAYLIGHT ONLY	CONDITION	4 - BREATH
SAFETY EQUIPMENT	11 - PASSENGER IN OTHER ENCLOSED CARGO AREA (NON-TRAILING UNIT, BUS, PICK-UP WITH CAP)	4 - NOT APPLICABLE	N - TANKER	11 - LIMITED TO EMPLOYMENT	1 - APPARENTLY NORMAL	5 - OTHER
1 - NONE USED	12 - PASSENGER IN UNENCLOSED CARGO AREA	TRAPPED	Q - MOTOR SCOOTER	12 - LIMITED - OTHER	2 - PHYSICAL IMPAIRMENT	DRUG TEST TYPE
2 - SHOULDER BELT ONLY USED	13 - TRAILING UNIT	1 - NOT TRAPPED	R - THREE-WHEEL MOTORCYCLE	13 - MECHANICAL DEVICES (SPECIAL BRAKES, HAND CONTROLS, OR OTHER ADAPTIVE DEVICES)	3 - EMOTIONAL (E.G., DEPRESSED, ANGRY/DISTURBED)	1 - NONE
3 - LAP BELT ONLY USED	14 - RIDING ON VEHICLE EXTERIOR (NON-TRAILING UNIT)	2 - EXTRICATED BY MECHANICAL MEANS	S - SCHOOL BUS	14 - MILITARY VEHICLES ONLY	4 - ILLNESS	2 - BLOOD
4 - SHOULDER & LAP BELT USED	99 - OTHER / UNKNOWN	3 - FREED BY NON-MECHANICAL MEANS	T - DOUBLE & TRIPLE TRAILERS	15 - MOTOR VEHICLES WITHOUT AIR BRAKES	5 - FELL ASLEEP, FAINTED, FATIGUED, ETC.	3 - URINE
5 - CHILD RESTRAINT SYSTEM - FORWARD FACING			X - TANKER / HAZMAT	16 - OUTSIDE MIRROR	6 - UNDER THE INFLUENCE OF MEDICATIONS / DRUGS / ALCOHOL	4 - BREATH
6 - CHILD RESTRAINT SYSTEM - REAR FACING			GENDER	17 - PROSTHETIC AID	9 - OTHER / UNKNOWN	5 - OTHER
7 - BOOSTER SEAT			F - FEMALE	18 - OTHER		DRUG TEST RESULT(S)
8 - HELMET USED			M - MALE			1 - AMPHETAMINES
9 - PROTECTIVE PADS USED (ELBOW, KNEES, ETC.)			U - OTHER / UNKNOWN			2 - BARBITURATES
10 - REFLECTIVE CLOTHING						3 - BENZODIAZEPINES
11 - LIGHTING - PEDESTRIAN / BICYCLE ONLY						4 - CANNABINOIDS
99 - OTHER / UNKNOWN						5 - COCAINE
						6 - OPIATES / OPIOIDS
						7 - OTHER
						8 - NEGATIVE RESULTS



OCCUPANT / WITNESS ADDENDUM

LOCAL REPORT NUMBER
2023 - 00019015

OCCUPANT	UNIT # 02	NAME: LAST, FIRST, MIDDLE HOUSTON, STEVEN DANIEL	DATE OF BIRTH 09102000	AGE 23	GENDER M
	ADDRESS: STREET, CITY, STATE, ZIP 6307 JEAN DR RAVENNA, OH 44266			CONTACT PHONE - INCLUDE AREA CODE 3307601204	

INJURIES 5	INJURED TAKEN BY	EMS AGENCY (NAME)	INJURED TAKEN TO: MEDICAL FACILITY (NAME, CITY)	SAFETY EQUIPMENT USED 04	<input type="checkbox"/> DOT-COMPLIANT MC HELMET	SEATING POSITION 03	AIR BAG USAGE 1	EJECTION 1	TRAPPED 1
----------------------	------------------	-------------------	---	------------------------------------	--	-------------------------------	---------------------------	----------------------	---------------------

OCCUPANT	UNIT #	NAME: LAST, FIRST, MIDDLE	DATE OF BIRTH	AGE	GENDER
	ADDRESS: STREET, CITY, STATE, ZIP			CONTACT PHONE - INCLUDE AREA CODE	

INJURIES	INJURED TAKEN BY	EMS AGENCY (NAME)	INJURED TAKEN TO: MEDICAL FACILITY (NAME, CITY)	SAFETY EQUIPMENT USED	<input type="checkbox"/> DOT-COMPLIANT MC HELMET	SEATING POSITION	AIR BAG USAGE	EJECTION	TRAPPED
----------	------------------	-------------------	---	-----------------------	--	------------------	---------------	----------	---------

OCCUPANT	UNIT #	NAME: LAST, FIRST, MIDDLE	DATE OF BIRTH	AGE	GENDER
	ADDRESS: STREET, CITY, STATE, ZIP			CONTACT PHONE - INCLUDE AREA CODE	

INJURIES	INJURED TAKEN BY	EMS AGENCY (NAME)	INJURED TAKEN TO: MEDICAL FACILITY (NAME, CITY)	SAFETY EQUIPMENT USED	<input type="checkbox"/> DOT-COMPLIANT MC HELMET	SEATING POSITION	AIR BAG USAGE	EJECTION	TRAPPED
----------	------------------	-------------------	---	-----------------------	--	------------------	---------------	----------	---------

OCCUPANT	UNIT #	NAME: LAST, FIRST, MIDDLE	DATE OF BIRTH	AGE	GENDER
	ADDRESS: STREET, CITY, STATE, ZIP			CONTACT PHONE - INCLUDE AREA CODE	

INJURIES	INJURED TAKEN BY	EMS AGENCY (NAME)	INJURED TAKEN TO: MEDICAL FACILITY (NAME, CITY)	SAFETY EQUIPMENT USED	<input type="checkbox"/> DOT-COMPLIANT MC HELMET	SEATING POSITION	AIR BAG USAGE	EJECTION	TRAPPED
----------	------------------	-------------------	---	-----------------------	--	------------------	---------------	----------	---------

INJURIES	SAFETY EQUIPMENT USED	SEATING POSITION	AIR BAG USAGE
1 - FATAL	1 - NONE USED - VEHICLE OCCUPANT	1 - FRONT - LEFT SIDE (MOTORCYCLE DRIVER)	1 - NOT DEPLOYED
2 - SUSPECTED SERIOUS INJURY	2 - SHOULDER BELT ONLY USED	2 - FRONT - MIDDLE	2 - DEPLOYED FRONT
3 - SUSPECTED MINOR INJURY	3 - LAP BELT ONLY USED	3 - FRONT - RIGHT SIDE	3 - DEPLOYED SIDE
4 - POSSIBLE INJURY	4 - SHOULDER & LAP BELT USED	4 - SECOND - LEFT SIDE (MOTORCYCLE PASSENGER)	4 - DEPLOYED BOTH FRONT/SIDE
5 - NO APPARENT INJURY	5 - CHILD RESTRAINT SYSTEM - FORWARD FACING	5 - SECOND - MIDDLE	5 - NOT APPLICABLE
INJURED TAKEN BY		6 - SECOND - RIGHT SIDE	9 - DEPLOYMENT UNKNOWN
1 - NOT TRANSPORTED / TREATED AT SCENE	6 - CHILD RESTRAINT SYSTEM - REAR FACING	7 - THIRD - LEFT SIDE (MOTORCYCLE SIDE CAR)	EJECTION
2 - EMS	7 - BOOSTER SEAT	8 - THIRD - MIDDLE	1 - NOT EJECTED
3 - POLICE	8 - HELMET USED	9 - THIRD - RIGHT SIDE	2 - PARTIALLY EJECTED
9 - OTHER / UNKNOWN	9 - PROTECTIVE PADS USED (ELBOW, KNEES, ETC.)	10 - SLEEPER SECTION OF TRUCK CAB	3 - TOTALLY EJECTED
GENDER		11 - PASSENGER IN OTHER ENCLOSED CARGO AREA (NON-TRAILING UNIT, BUS, PICK-UP WITH CAP)	4 - NOT APPLICABLE
F - FEMALE	10 - REFLECTIVE CLOTHING	12 - PASSENGER IN UNENCLOSED CARGO AREA	TRAPPED
M - MALE	11 - LIGHTING - PEDESTRIAN / BICYCLE ONLY	13 - TRAILING UNIT	1 - NOT TRAPPED
U - OTHER / UNKNOWN	99 - OTHER / UNKNOWN	14 - RIDING ON VEHICLE EXTERIOR (NON-TRAILING UNIT)	2 - EXTRICATED BY MECHANICAL MEANS
		15 - NON-MOTORIST	3 - FREED BY NON-MECHANICAL MEANS
		99 - OTHER / UNKNOWN	

WITNESS	NAME: LAST, FIRST, MIDDLE	DATE OF BIRTH	AGE	GENDER
	ADDRESS: STREET, CITY, STATE, ZIP			CONTACT PHONE - INCLUDE AREA CODE

WITNESS	NAME: LAST, FIRST, MIDDLE	DATE OF BIRTH	AGE	GENDER
	ADDRESS: STREET, CITY, STATE, ZIP			CONTACT PHONE - INCLUDE AREA CODE

WITNESS	NAME: LAST, FIRST, MIDDLE	DATE OF BIRTH	AGE	GENDER
	ADDRESS: STREET, CITY, STATE, ZIP			CONTACT PHONE - INCLUDE AREA CODE