

<input type="checkbox"/> PHOTOS TAKEN <input type="checkbox"/> SECONDARY CRASH <input type="checkbox"/> OH-2 <input type="checkbox"/> OH-1P <input type="checkbox"/> OTHER <input type="checkbox"/> PRIVATE PROPERTY	LOCAL INFORMATION REPORTING AGENCY NAME* City of Kent Police NCIC* 06703	2022-00009775	HIT/SKIP 1 - SOLVED 2 - UNSOLVED 02	NUMBER OF UNITS 02	UNIT IN ERROR 98 - ANIMAL 99 - UNKNOWN 02
---	---	---------------	--	-----------------------	--

COUNTY* 67	LOCALITY* 1 - CITY 2 - VILLAGE 3 - TOWNSHIP 1	LOCATION: CITY, VILLAGE, TOWNSHIP* Kent	CRASH DATE / TIME* 06132022/11555	CRASH SEVERITY 1 - FATAL 2 - SERIOUS INJURY SUSPECTED 3 - MINOR INJURY SUSPECTED 4 - INJURY POSSIBLE 5 - PROPERTY DAMAGE ONLY 5
---------------	---	--	--------------------------------------	---


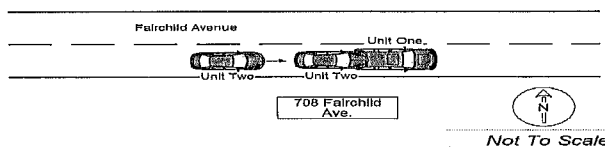
ROUTE TYPE	ROUTE NUMBER	PREFIX N - NORTH S - SOUTH E - EAST W - WEST	LOCATION ROAD NAME FAIRCHILD	ROAD TYPE A V	LATITUDE DECIMAL DEGREES 41.160100
ROUTE TYPE	ROUTE NUMBER	PREFIX N - NORTH S - SOUTH E - EAST W - WEST	REFERENCE ROAD NAME (ROAD, MILEPOST, HOUSE #) 708	ROAD TYPE	LONGITUDE DECIMAL DEGREES 81.365188

REFERENCE POINT 1 - INTERSECTION 2 - MILE POST 3 - HOUSE # 3	DIRECTION FROM REFERENCE N - NORTH S - SOUTH E - EAST W - WEST	ROUTE TYPE IR - INTERSTATE ROUTE(TP) US - FEDERAL US ROUTE SR - STATE ROUTE CR - NUMBERED COUNTY ROUTE TR - NUMBERED TOWNSHIP ROUTE	ROAD TYPE AL - ALLEY AV - AVENUE BL - BOULEVARD CR - CIRCLE CT - COURT DR - DRIVE HE - HEIGHTS HW - HIGHWAY LA - LANE MP - MILEPOST OV - OVAL PK - PARKWAY PI - PIKE PL - PLACE RD - ROAD SQ - SQUARE ST - STREET TE - TERRACE TL - TRAIL WA - WAY	INTERSECTION RELATED <input type="checkbox"/> WITHIN INTERSECTION OR ON APPROACH <input type="checkbox"/> WITHIN INTERCHANGE AREA NUMBER OF APPROACHES	ROADWAY <input type="checkbox"/> ROADWAY DIVIDED
--	--	--	--	---	---

LOCATION OF FIRST HARMFUL EVENT 1 - ON ROADWAY 2 - ON SHOULDER 3 - IN MEDIAN 4 - ON ROADSIDE 5 - ON GORE 6 - OUTSIDE TRAFFIC WAY 7 - ON RAMP 8 - OFF RAMP 01	MANNER OF CRASH COLLISION/IMPACT 1 - NOT COLLISION BETWEEN TWO MOTOR VEHICLES IN TRANSPORT 2 - REAR-END 3 - HEAD-ON 4 - REAR-TO-REAR 5 - BACKING 6 - ANGLE 7 - SIDESWIPE, SAME DIRECTION 8 - SIDESWIPE, OPPOSITE DIRECTION 9 - OTHER / UNKNOWN 2	DIRECTION OF TRAVEL N - NORTH S - SOUTH E - EAST W - WEST	MEDIAN TYPE 1 - DIVIDED FLUSH MEDIAN (<4 FEET) 2 - DIVIDED FLUSH MEDIAN (≥4 FEET) 3 - DIVIDED, DEPRESSED MEDIAN 4 - DIVIDED, RAISED MEDIAN (ANY TYPE) 9 - OTHER/UNKNOWN
---	--	---	--

<input type="checkbox"/> WORK ZONE RELATED <input type="checkbox"/> WORKERS PRESENT <input type="checkbox"/> LAW ENFORCEMENT PRESENT <input type="checkbox"/> ACTIVE SCHOOL ZONE	WORK ZONE TYPE 1 - LANE CLOSURE 2 - LANE SHIFT/CROSSOVER 3 - WORK ON SHOULDER OR MEDIAN 4 - INTERMITTENT OR MOVING WORK 5 - OTHER	LOCATION OF CRASH IN WORK ZONE 1 - BEFORE THE 1ST WORK ZONE WARNING SIGN 2 - ADVANCE WARNING AREA 3 - TRANSITION AREA 4 - ACTIVITY AREA 5 - TERMINATION AREA	CONTOUR 2	CONDITIONS 1	SURFACE 2
---	--	---	--------------	-----------------	--------------

LIGHT CONDITION 1 - DAYLIGHT 2 - DAWN/DUSK 3 - DARK - LIGHTED ROADWAY 4 - DARK - ROADWAY NOT LIGHTED 5 - DARK - UNKNOWN ROADWAY LIGHTING 9 - OTHER / UNKNOWN 1	WEATHER 1 - CLEAR 2 - CLOUDY 3 - FOG, SMOG, SMOKE 4 - RAIN 5 - SLEET, HAIL 6 - SNOW 7 - SEVERE CROSSWINDS 8 - BLOWING SAND, SOIL, DIRT, SNOW 9 - FREEZING RAIN OR FREEZING DRIZZLE 99 - OTHER / UNKNOWN 01
---	---

NARRATIVE Both units were traveling east on Fairchild at 708. Unit one stopped for traffic. Unit two failed to maintain an assured clear distance striking Unit one.	 Indicate the north direction with an "N" on the compass diagram.
 Fairchild Avenue Unit One Unit Two 708 Fairchild Ave. Not To Scale	

CRASH REPORTED DATE / TIME 06132022/11555	DISPATCH DATE / TIME 06132022/1604	ARRIVAL DATE / TIME 06132022/1611	SCENE CLEARED DATE / TIME 06132022/1637	REPORT TAKEN BY <input checked="" type="checkbox"/> POLICE AGENCY <input type="checkbox"/> MOTORIST
TOTAL TIME ROADWAY CLOSED 000	OTHER INVESTIGATION TIME 010	TOTAL MINUTES 043	OFFICER'S NAME* Butcher, Matthew	CHECKED BY OFFICER'S NAME* Gaydosh, Ryan
			OFFICER'S BADGE NUMBER* 234	CHECKED BY OFFICER'S BADGE NUMBER* 213

OWNER

UNIT # **0 1** OWNER NAME: LAST, FIRST, MIDDLE (X) SAME AS DRIVER
POWELL, ALYSON, LOUISE

OWNED PHONE: INCLUDE AREA CODE (X) SAME AS DRIVER

OWNER ADDRESS: STREET, CITY, STATE, ZIP (X) SAME AS DRIVER
1301 MANTUA ST, Kent, OH 44240

COMMERCIAL CARRIER: NAME, ADDRESS, CITY, STATE, ZIP

COMMERCIAL CARRIER PHONE: INCLUDE AREA CODE

DAMAGE

DAMAGE SCALE

2 1 - NONE 3 - FUNCTIONAL DAMAGE
2 - MINOR DAMAGE 4 - DISABLING DAMAGE
9 - UNKNOWN

VEHICLE

LP STATE **OH** LICENSE PLATE # **JLU5019** VEHICLE IDENTIFICATION # **5N1A1R1J8B1X8C6265711** VEHICLE YEAR **2008** VEHICLE MAKE **Nissan**

INSURANCE VERIFIED INSURANCE COMPANY **WESTFIELD** INSURANCE POLICY # **WNP3296600** COLOR **SIL** VEHICLE MODEL **PATHFINDER**

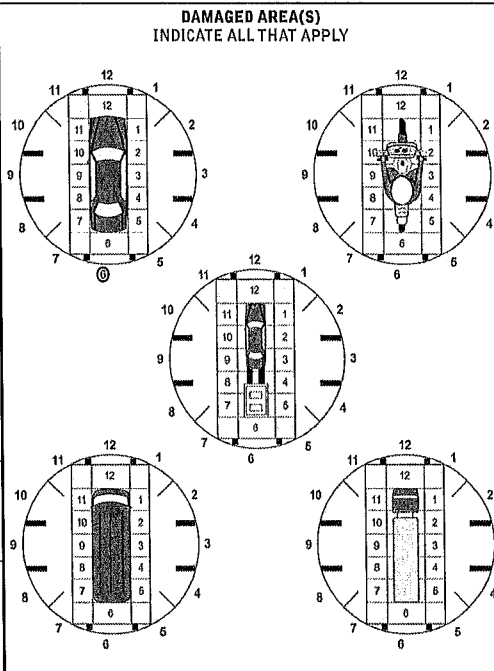
COMMERCIAL GOVERNMENT IN EMERGENCY RESPONSE

INTERLOCK DEVICE EQUIPPED HIT/SKIP UNIT #OCCUPANTS **0 1** VEHICLE WEIGHT GVWR/GCWR
1 - ≤10K LBS.
2 - 10,001 - 26K LBS.
3 - >26K LBS.

MATERIAL RELEASED PLACARD

HAZARDOUS MATERIAL CLASS # PLACARD ID #

1 - PASSENGER CAR 7 - MOTORCYCLE 2-WHEELED 12 - GOLF CART 18 - LIMO (LIVERY VEHICLE) 23 - PEDESTRIAN / SKATER
2 - PASSENGER VAN (MINIVAN) 8 - MOTORCYCLE 3-WHEELED 13 - SNOWMOBILE 19 - BUS (16+ PASSENGERS) 24 - WHEELCHAIR (ANY TYPE)
3 - SPORT UTILITY VEHICLE 9 - AUTOCYCLE 14 - SINGLE UNIT TRUCK 20 - OTHER VEHICLE 25 - OTHER NON-MOTORIST
4 - PICK UP 10 - MOPED OR MOTORIZED BICYCLE 15 - SEMI-TRACTOR 21 - HEAVY EQUIPMENT 26 - BICYCLE
5 - CARGO VAN 11 - ALL TERRAIN VEHICLE (ATV / UTV) 16 - FARM EQUIPMENT 22 - ANIMAL WITH RIDER OR ANIMAL-DRAWN VEHICLE 27 - TRAIN
6 - VAN (9-15 SEATS) 17 - MOTORHOME



UNIT TYPE **0 3** # OF TRAILING UNITS **00**

WAS VEHICLE OPERATING IN AUTONOMOUS MODE WHEN CRASH OCCURRED? **2** 1 - YES 2 - NO 9 - OTHER / UNKNOWN

AUTONOMOUS MODE LEVEL **0**

SPECIAL FUNCTION **0 1**

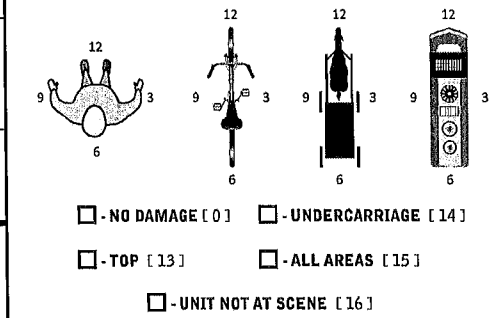
1 - NONE 6 - BUS - CHARTER/TOUR 11 - FIRE 16 - FARM 21 - MAIL CARRIER
2 - TAXI 7 - BUS - INTERCITY 12 - MILITARY 17 - MOWING 99 - OTHER / UNKNOWN
3 - ELECTRONIC RIDE SHARING 8 - BUS - SHUTTLE 13 - POLICE 18 - SNOW REMOVAL
4 - SCHOOL TRANSPORT 9 - BUS - OTHER 14 - PUBLIC UTILITY 19 - TOWING
5 - BUS - TRANSIT/COMMUTER 10 - AMBULANCE 15 - CONSTRUCTION EQUIPMENT 20 - SAFETY SERVICE PATROL

CARGO BODY TYPE **0 1**

1 - NO CARGO BODY TYPE / NOT APPLICABLE 3 - VEHICLE TOWING ANOTHER MOTOR VEHICLE 5 - INTERMODAL CONTAINER CHASSIS 8 - POLE 12 - CONCRETE MIXER
2 - BUS 4 - LOGGING 6 - CARGO VAN/ENCLOSED BOX 9 - CARGO TANK 13 - AUTO TRANSPORTER
7 - GRAIN/CHIPS/GRAVEL 10 - FLAT BED 14 - GARBAGE/REFUSE
99 - OTHER / UNKNOWN

VEHICLE DEFECTS **0 1**

1 - TURN SIGNALS 4 - BRAKES 7 - WORN OR SLICK TIRES 9 - MOTOR TROUBLE 99 - OTHER / UNKNOWN
2 - HEAD LAMPS 5 - STEERING 8 - TRAILER EQUIPMENT DEFECTIVE 10 - DISABLED FROM PRIOR ACCIDENT
3 - TAIL LAMPS 6 - TIRE BLOWOUT



NON-MOTORIST LOCATION AT IMPACT **0 1**

1 - INTERSECTION - MARKED CROSSWALK 3 - INTERSECTION - OTHER 6 - BICYCLE LANE 9 - MEDIAN/CROSSING ISLAND 12 - FIRST RESPONDER AT INCIDENT SCENE
2 - INTERSECTION - UNMARKED CROSSWALK 4 - MIDBLOCK - MARKED CROSSWALK 7 - SHOULDER / ROADSIDE 10 - DRIVEWAY ACCESS 11 - SHARED USE PATHS OR TRAILS 99 - OTHER / UNKNOWN
5 - TRAVEL LANE - OTHER LOCATION 8 - SIDEWALK

ACTION **4** **PRE-CRASH ACTIONS** **1 1**

1 - NON-CONTACT 1 - STRAIGHT AHEAD 7 - MAKING U-TURN 13 - NEGOTIATING A CURVE 18 - APPROACHING OR LEAVING VEHICLE
2 - NON-COLLISION 2 - BACKING 8 - ENTERING TRAFFIC LANE 14 - ENTERING OR CROSSING SPECIFIED LOCATION 19 - STANDING
3 - STRIKING 3 - CHANGING LANES 9 - LEAVING TRAFFIC LANE 15 - WALKING, RUNNING, JOGGING, PLAYING 20 - OTHER NON-MOTORIST
4 - STRUCK 4 - OVERTAKING/PASSING 10 - PARKED 16 - WORKING 21 - STANDING OUTSIDE DISABLED VEHICLE
5 - BOTH STRIKING & STRUCK 5 - MAKING RIGHT TURN 11 - SLOWING OR STOPPED IN TRAFFIC 17 - PUSHING VEHICLE 99 - OTHER / UNKNOWN
6 - MAKING LEFT TURN 12 - DRIVERLESS 99 - OTHER / UNKNOWN
9 - OTHER / UNKNOWN

INITIAL POINT OF CONTACT

0 6 0 - NO DAMAGE 14 - UNDERCARRIAGE
1-12 - REFER TO UNIT DIAGRAM 99 - UNKNOWN
13 - TOP

EVENT(S)

CONTRIBUTING CIRCUMSTANCES **0 1**

1 - NONE 7 - LEFT OF CENTER 13 - IMPROPER START FROM A PARKED POSITION 17 - VISION OBSTRUCTION 21 - LYING IN ROADWAY
2 - FAILURE TO YIELD 8 - FOLLOWING TOO CLOSE / ACDA 14 - STOPPED OR PARKED ILLEGALLY 18 - OPERATING DEFECTIVE EQUIPMENT 22 - NOT DISCERNIBLE
3 - RAN RED LIGHT 9 - IMPROPER LANE CHANGE 15 - SWERVING TO AVOID 19 - LOAD SHIFTING/FALLING/ SPILLING 23 - OPENING DOOR INTO ROADWAY
4 - RAN STOP SIGN 10 - IMPROPER PASSING 16 - WRONG WAY 20 - IMPROPER CROSSING 99 - OTHER IMPROPER ACTION
5 - UNSAFE SPEED 11 - DROVE OFF ROAD
6 - IMPROPER TURN 12 - IMPROPER BACKING

TRAFFIC

TRAFFICWAY FLOW **2** 1 - ONE-WAY 2 - TWO-WAY

TRAFFIC CONTROL **6** 1 - ROUNDABOUT 4 - STOP SIGN 2 - SIGNAL 5 - YIELD SIGN 3 - FLASHER 6 - NO CONTROL

OF THROUGH LANES ON ROAD **2**

RAIL GRADE CROSSING **1** 1 - NOT INVOLVED 2 - INVOLVED-ACTIVE CROSSING 3 - INVOLVED-PASSIVE CROSSING

SEQUENCE OF EVENTS

1 **2 0** 1 - OVERTURN/ROLLOVER 6 - EQUIPMENT FAILURE 11 - CROSS CENTERLINE - OPPOSITE DIRECTION OF TRAVEL 16 - RAILWAY VEHICLE 22 - WORK ZONE MAINTENANCE EQUIPMENT
2 - FIRE/EXPLOSION 7 - SEPARATION OF UNITS 12 - DOWNHILL RUNAWAY 17 - ANIMAL - FARM 23 - STRUCK BY FALLING, SHIFTING CARGO OR ANYTHING SET IN MOTION BY A MOTOR VEHICLE
3 - IMMERSION 8 - RAN OFF ROAD RIGHT 13 - OTHER NON-COLLISION 18 - ANIMAL - DEER 24 - OTHER MOVABLE OBJECT
4 - JACKKNIFE 9 - RAN OFF ROAD LEFT 14 - PEDESTRIAN 19 - ANIMAL - OTHER 20 - MOTOR VEHICLE IN TRANSPORT
5 - CARGO / EQUIPMENT LOSS OR SHIFT 10 - CROSS MEDIAN 15 - PEDALCYCLE 21 - PARKED MOTOR VEHICLE

COLLISION WITH FIXED OBJECT - STRUCK

25 - IMPACT ATTENUATOR / CRASH CUSHION 31 - GUARDRAIL END 37 - TRAFFIC SIGN POST 43 - CURB 50 - WORK ZONE MAINTENANCE EQUIPMENT
26 - BRIDGE OVERHEAD STRUCTURE 32 - PORTABLE BARRIER 38 - OVERHEAD SIGN POST 44 - DITCH 51 - WALL
27 - BRIDGE PIER OR ABUTMENT 33 - MEDIAN CABLE BARRIER 39 - LIGHT / LUMINARIES SUPPORT 45 - EMBANKMENT 52 - BUILDING
28 - BRIDGE PARAPET 34 - MEDIAN GUARDRAIL BARRIER 40 - UTILITY POLE 46 - FENCE 53 - TUNNEL
29 - BRIDGE RAIL 35 - MEDIAN CONCRETE BARRIER 41 - OTHER POST, POLE OR SUPPORT 47 - MAILBOX 54 - OTHER FIXED OBJECT
30 - GUARDRAIL FACE 36 - MEDIAN OTHER BARRIER 42 - CULVERT 48 - TREE 99 - OTHER / UNKNOWN
49 - FIRE HYDRANT

FIRST HARMFUL EVENT **1** **MOST HARMFUL EVENT** **1**

UNIT / NON-MOTORIST DIRECTION

FROM 4 TO 3

1 - NORTH 5 - NORTHEAST
2 - SOUTH 6 - NORTHWEST
3 - EAST 7 - SOUTHEAST
4 - WEST 8 - SOUTHWEST
9 - OTHER / UNKNOWN

UNIT SPEED **0 0 0**

DETECTED SPEED **1** 1 - STATED / ESTIMATED SPEED 2 - CALCULATED / EDR 3 - UNDETERMINED

POSTED SPEED **2 5**

OWNER

UNIT # **0 2** OWNER NAME: LAST, FIRST, MIDDLE (☒ SAME AS DRIVER)
GOODWIN, ANIGAYLE, L

OWNER ADDRESS: STREET, CITY, STATE, ZIP (☒ SAME AS DRIVER)
305 5TH ST, MCDONALD, PA 15057

COMMERCIAL CARRIER: NAME, ADDRESS, CITY, STATE, ZIP

OWNER PHONE: INCLUDE AREA CODE (☒ SAME AS DRIVER)

COMMERCIAL CARRIER PHONE: INCLUDE AREA CODE

DAMAGE

DAMAGE SCALE

4 1 - NONE 3 - FUNCTIONAL DAMAGE
2 - MINOR DAMAGE 4 - DISABLING DAMAGE
9 - UNKNOWN

VEHICLE

LP STATE **PA** LICENSE PLATE # **KTL8013** VEHICLE IDENTIFICATION # **1 B 3 E J 4 6 X 1 V N 6 1 6 1 3** VEHICLE YEAR **1 9 9 7** VEHICLE MAKE **Dodge**

INSURANCE VERIFIED INSURANCE COMPANY **GEICO** INSURANCE POLICY # **4010189233** COLOR **RED** VEHICLE MODEL **STRATUS**

COMMERCIAL GOVERNMENT IN EMERGENCY RESPONSE

INTERLOCK DEVICE EQUIPPED HIT/SKIP UNIT #OCCUPANTS **0 1** VEHICLE WEIGHT GVWR/GCWR
1 - <10K LBS.
2 - 10,001 - 26K LBS.
3 - >26K LBS.

TOWED BY: COMPANY NAME **City Service**

HAZARDOUS MATERIAL CLASS # PLACARD ID #

DAMAGED AREA(S)
INDICATE ALL THAT APPLY

UNIT TYPE **0 1**

1 - PASSENGER CAR 7 - MOTORCYCLE 2-WHEELED 12 - GOLF CART 18 - LIMO (LIVERY VEHICLE) 23 - PEDESTRIAN / SKATER
2 - PASSENGER VAN (MINIVAN) 8 - MOTORCYCLE 3-WHEELED 13 - SNOWMOBILE 19 - BUS (16+ PASSENGERS) 24 - WHEELCHAIR (ANYTYPE)
3 - SPORT UTILITY VEHICLE 9 - AUTOCYCLE 14 - SINGLE UNIT TRUCK 20 - OTHER VEHICLE 25 - OTHER NON-MOTORIST
4 - PICK UP 10 - MOPED OR MOTORIZED BICYCLE 15 - SEMI-TRACTOR 21 - HEAVY EQUIPMENT 26 - BICYCLE
5 - CARGO VAN 11 - ALL TERRAIN VEHICLE (ATV / UTV) 16 - FARM EQUIPMENT 22 - ANIMAL WITH RIDER OR ANIMAL-DRAWN VEHICLE 27 - TRAIN
6 - VAN (9-15 SEATS) 17 - MOTORHOME 99 - UNKNOWN OR HIT/SKIP

OF TRAILING UNITS **0**

DAMAGED AREA(S)
INDICATE ALL THAT APPLY

WAS VEHICLE OPERATING IN AUTONOMOUS MODE WHEN CRASH OCCURRED? **2**

1 - YES 2 - NO 9 - OTHER / UNKNOWN

AUTONOMOUS MODE LEVEL **0**

0 - NO AUTOMATION 3 - CONDITIONAL AUTOMATION 9 - UNKNOWN
1 - DRIVER ASSISTANCE 4 - HIGH AUTOMATION
2 - PARTIAL AUTOMATION 5 - FULL AUTOMATION

DAMAGED AREA(S)
INDICATE ALL THAT APPLY

SPECIAL FUNCTION **0 1**

1 - NONE 6 - BUS - CHARTER/TOUR 11 - FIRE 16 - FARM 21 - MAIL CARRIER
2 - TAXI 7 - BUS - INTERCITY 12 - MILITARY 17 - MOWING 99 - OTHER / UNKNOWN
3 - ELECTRONIC RIDE SHARING 8 - BUS - SHUTTLE 13 - POLICE 18 - SNOW REMOVAL
4 - SCHOOL TRANSPORT 9 - BUS - OTHER 14 - PUBLIC UTILITY 19 - TOWING
5 - BUS - TRANSIT/COMMUTER 10 - AMBULANCE 15 - CONSTRUCTION EQUIPMENT 20 - SAFETY SERVICE PATROL

DAMAGED AREA(S)
INDICATE ALL THAT APPLY

CARGO BODY TYPE **0 1**

1 - NO CARGO BODY TYPE / NOT APPLICABLE 3 - VEHICLE TOWING ANOTHER MOTOR VEHICLE 5 - INTERMODAL CONTAINER CHASSIS 8 - POLE 12 - CONCRETE MIXER
2 - BUS 4 - LOGGING 6 - CARGO VAN/ENCLOSED BOX 9 - CARGO TANK 13 - AUTO TRANSPORTER
7 - GRAIN/CHIPS/GRAVEL 10 - FLAT BED 14 - GARBAGE/REFUSE
11 - DUMP 99 - OTHER / UNKNOWN

NO DAMAGE [0] UNDERCARRIAGE [14]
 TOP [13] ALL AREAS [15]
 UNIT NOT AT SCENE [16]

VEHICLE DEFECTS **0 1**

1 - TURN SIGNALS 4 - BRAKES 7 - WORN OR SLICK TIRES 9 - MOTOR TROUBLE 99 - OTHER / UNKNOWN
2 - HEAD LAMPS 5 - STEERING 8 - TRAILER EQUIPMENT DEFECTIVE 10 - DISABLED FROM PRIOR ACCIDENT
3 - TAIL LAMPS 6 - TIRE BLOWOUT

NON-MOTORIST LOCATION AT IMPACT **0 1**

1 - INTERSECTION - MARKED CROSSWALK 3 - INTERSECTION - OTHER 6 - BICYCLE LANE 9 - MEDIAN/CROSSING ISLAND 12 - FIRST RESPONDER AT INCIDENT SCENE
2 - INTERSECTION - UNMARKED CROSSWALK 4 - MIDBLOCK - MARKED CROSSWALK 7 - SHOULDER / ROADSIDE 10 - DRIVEWAY ACCESS 14 - ENTERING OR CROSSING SPECIFIED LOCATION
5 - TRAVEL LANE - OTHER LOCATION 8 - SIDEWALK 11 - SHARED USE PATHS OR TRAILS 15 - WALKING, RUNNING, JOGGING, PLAYING
99 - OTHER / UNKNOWN

ACTION **0 1 3**

1 - NON-CONTACT 1 - STRAIGHT AHEAD 7 - MAKING U-TURN 13 - NEGOTIATING A CURVE 18 - APPROACHING OR LEAVING VEHICLE
2 - NON-COLLISION 2 - BACKING 8 - ENTERING TRAFFIC LANE 14 - ENTERING OR CROSSING SPECIFIED LOCATION 19 - STANDING
3 - STRIKING **0 1** 3 - CHANGING LANES 9 - LEAVING TRAFFIC LANE 15 - WALKING, RUNNING, JOGGING, PLAYING 20 - OTHER NON-MOTORIST
4 - STRUCK **PRE-CRASH ACTIONS** 4 - OVERTAKING/PASSING 10 - PARKED 16 - WORKING 21 - STANDING OUTSIDE DISABLED VEHICLE
5 - BOTH STRIKING & STRUCK 5 - MAKING RIGHT TURN 11 - SLOWING OR STOPPED IN TRAFFIC 17 - PUSHING VEHICLE 99 - OTHER / UNKNOWN
6 - MAKING LEFT TURN 12 - DRIVERLESS 99 - OTHER / UNKNOWN
9 - OTHER / UNKNOWN

INITIAL POINT OF CONTACT

0 - NO DAMAGE 14 - UNDERCARRIAGE
1-12 - REFER TO UNIT DIAGRAM 15 - VEHICLE NOT AT SCENE
13 - TOP 99 - UNKNOWN

CONTRIBUTING CIRCUMSTANCES **0 8**

1 - NONE 7 - LEFT OF CENTER 13 - IMPROPER START FROM A PARKED POSITION 17 - VISION OBSTRUCTION 21 - LYING IN ROADWAY
2 - FAILURE TO YIELD 8 - FOLLOWING TOO CLOSE / ACCA 14 - STOPPED OR PARKED ILLEGALLY 18 - OPERATING DEFECTIVE EQUIPMENT 22 - NOT DISCERNIBLE
3 - RAN RED LIGHT 9 - IMPROPER LANE CHANGE 15 - SWERVING TO AVOID 19 - LOAD SHIFTING/FALLING/ SPILLING 23 - OPENING DOOR INTO ROADWAY
4 - RAN STOP SIGN 10 - IMPROPER PASSING 16 - WRONG WAY 20 - IMPROPER CROSSING 99 - OTHER IMPROPER ACTION
5 - UNSAFE SPEED 11 - DROVE OFF ROAD 21 - PARKED MOTOR VEHICLE
6 - IMPROPER TURN 12 - IMPROPER BACKING

TRAFFIC

TRAFFICWAY FLOW
2 1 - ONE-WAY
2 - TWO-WAY

TRAFFIC CONTROL
6 1 - ROUNDABOUT 4 - STOP SIGN
2 - SIGNAL 5 - YIELD SIGN
3 - FLASHER 6 - NO CONTROL

OF THROUGH LANES ON ROAD
2

RAIL GRADE CROSSING
1 1 - NOT INVOLVED
2 - INVOLVED-ACTIVE CROSSING
3 - INVOLVED-PASSIVE CROSSING

SEQUENCE OF EVENTS

1 **2 0** 1 - OVERTURN/ROLLOVER 6 - EQUIPMENT FAILURE 11 - CROSS CENTERLINE - OPPOSITE DIRECTION OF TRAVEL 16 - RAILWAY VEHICLE 22 - WORK ZONE MAINTENANCE EQUIPMENT
2 - FIRE/EXPLOSION 7 - SEPARATION OF UNITS 12 - DOWNHILL RUNAWAY 17 - ANIMAL - FARM 23 - STRUCK BY FALLING, SHIFTING CARGO OR ANYTHING SET IN MOTION BY A MOTOR VEHICLE
3 - IMMERSION 8 - RAN OFF ROAD RIGHT 13 - OTHER NON-COLLISION 18 - ANIMAL - DEER 24 - OTHER MOVABLE OBJECT
4 - JACKKNIFE 9 - RAN OFF ROAD LEFT 14 - PEDESTRIAN 19 - ANIMAL - OTHER 20 - MOTOR VEHICLE IN TRANSPORT
5 - CARGO / EQUIPMENT LOSS OR SHIFT 10 - CROSS MEDIAN 15 - PEDALCYCLE 21 - PARKED MOTOR VEHICLE

COLLISION WITH FIXED OBJECT - STRUCK

25 - IMPACT ATTENUATOR / CRASH CUSHION 31 - GUARDRAIL END 37 - TRAFFIC SIGN POST 43 - CURB
26 - BRIDGE OVERHEAD STRUCTURE 32 - PORTABLE BARRIER 38 - OVERHEAD SIGN POST 44 - DITCH
27 - BRIDGE PIER OR ABUTMENT 33 - MEDIAN CABLE BARRIER 39 - LIGHT / LUMINARIES SUPPORT 45 - EMBANKMENT
28 - BRIDGE PARAPET 34 - MEDIAN GUARDRAIL BARRIER 40 - UTILITY POLE 46 - FENCE
29 - BRIDGE RAIL 35 - MEDIAN CONCRETE BARRIER 41 - OTHER POST, POLE OR SUPPORT 47 - MAILBOX
30 - GUARDRAIL FACE 36 - MEDIAN OTHER BARRIER 42 - CULVERT 48 - TREE
49 - FIRE HYDRANT

50 - WORK ZONE MAINTENANCE EQUIPMENT 51 - WALL
52 - BUILDING 53 - TUNNEL
54 - OTHER FIXED OBJECT 99 - OTHER / UNKNOWN

FIRST HARMFUL EVENT **1** **MOST HARMFUL EVENT** **1**

UNIT / NON-MOTORIST DIRECTION

FROM **4** TO **3**

1 - NORTH 5 - NORTHEAST
2 - SOUTH 6 - NORTHWEST
3 - EAST 7 - SOUTHEAST
4 - WEST 8 - SOUTHWEST
9 - OTHER / UNKNOWN

UNIT SPEED
0 1 0

POSTED SPEED
2 5

DETECTED SPEED
1 1 - STATED / ESTIMATED SPEED
2 - CALCULATED / EDR
3 - UNDETERMINED



MOTORIST / Non-MOTORIST

LOCAL REPORT NUMBER
 2 0 2 2 - 0 0 0 0 9 7 7 5

UNIT # 0 1	NAME: LAST, FIRST, MIDDLE POWELL, ALYSON, LOUISE		DATE OF BIRTH 0 3 / 1 7 / 1 9 9 4		AGE 2 8	GENDER F				
ADDRESS: STREET, CITY, STATE, ZIP 1301 N MANTUA ST, Kent, OH 44240					CONTACT PHONE - INCLUDE AREA CODE					
INJURIES 5	INJURED TAKEN BY	EMS AGENCY (NAME)	INJURED TAKEN TO: MEDICAL FACILITY (NAME, CITY)	SAFETY EQUIPMENT USED 0 4	<input type="checkbox"/> DOT-COMPLIANT MC HELMET	SEATING POSITION 0 1	AIR BAG USAGE 1	EJECTION 1	TRAPPED 1	
OL STATE O, H	OPERATOR LICENSE NUMBER		OFFENSE CHARGED	LOCAL CODE <input type="checkbox"/>	OFFENSE DESCRIPTION		CITATION NUMBER			
OL CLASS 4	ENDORSEMENT SELECT UP TO 2	RESTRICTION SELECT UP TO 3	DRIVER DISTRACTED BY 1	ALCOHOL / DRUG SUSPECTED <input type="checkbox"/> ALCOHOL <input type="checkbox"/> MARIJUANA <input type="checkbox"/> OTHER DRUG		CONDITION 1	ALCOHOL TEST STATUS: 1, TYPE: 1, VALUE: .		DRUG TEST(S) STATUS: 1, TYPE: 1, RESULT: .	

UNIT # 0 2	NAME: LAST, FIRST, MIDDLE GOODWIN, ANIGAYLE, L		DATE OF BIRTH 0 6 / 0 3 / 1 9 9 9		AGE 2 3	GENDER F				
ADDRESS: STREET, CITY, STATE, ZIP 305 5TH ST, MCDONALD, PA 15057					CONTACT PHONE - INCLUDE AREA CODE					
INJURIES 5	INJURED TAKEN BY	EMS AGENCY (NAME)	INJURED TAKEN TO: MEDICAL FACILITY (NAME, CITY)	SAFETY EQUIPMENT USED 0 4	<input type="checkbox"/> DOT-COMPLIANT MC HELMET	SEATING POSITION 0 1	AIR BAG USAGE 1	EJECTION 1	TRAPPED 1	
OL STATE P, A	OPERATOR LICENSE NUMBER		OFFENSE CHARGED 333.03	LOCAL CODE <input checked="" type="checkbox"/>	OFFENSE DESCRIPTION Maximum Speed Limits		CITATION NUMBER 23835			
OL CLASS 4	ENDORSEMENT SELECT UP TO 2	RESTRICTION SELECT UP TO 3	DRIVER DISTRACTED BY 1	ALCOHOL / DRUG SUSPECTED <input type="checkbox"/> ALCOHOL <input type="checkbox"/> MARIJUANA <input type="checkbox"/> OTHER DRUG		CONDITION 1	ALCOHOL TEST STATUS: 1, TYPE: 1, VALUE: .		DRUG TEST(S) STATUS: 1, TYPE: 1, RESULT: .	

UNIT #	NAME: LAST, FIRST, MIDDLE		DATE OF BIRTH		AGE	GENDER				
ADDRESS: STREET, CITY, STATE, ZIP					CONTACT PHONE - INCLUDE AREA CODE					
INJURIES	INJURED TAKEN BY	EMS AGENCY (NAME)	INJURED TAKEN TO: MEDICAL FACILITY (NAME, CITY)	SAFETY EQUIPMENT USED	<input type="checkbox"/> DOT-COMPLIANT MC HELMET	SEATING POSITION	AIR BAG USAGE	EJECTION	TRAPPED	
OL STATE	OPERATOR LICENSE NUMBER		OFFENSE CHARGED	LOCAL CODE <input type="checkbox"/>	OFFENSE DESCRIPTION		CITATION NUMBER			
OL CLASS	ENDORSEMENT SELECT UP TO 2	RESTRICTION SELECT UP TO 3	DRIVER DISTRACTED BY	ALCOHOL / DRUG SUSPECTED <input type="checkbox"/> ALCOHOL <input type="checkbox"/> MARIJUANA <input type="checkbox"/> OTHER DRUG		CONDITION	ALCOHOL TEST STATUS: , TYPE: , VALUE: .		DRUG TEST(S) STATUS: , TYPE: , RESULT: .	

INJURIES	SEATING POSITION	AIR BAG	OL CLASS	OL RESTRICTION(S)	DRIVER DISTRACTION	TEST STATUS
1 - FATAL 2 - SUSPECTED SERIOUS INJURY 3 - SUSPECTED MINOR INJURY 4 - POSSIBLE INJURY 5 - NO APPARENT INJURY	1 - FRONT - LEFT SIDE (MOTORCYCLE DRIVER) 2 - FRONT - MIDDLE 3 - FRONT - RIGHT SIDE 4 - SECOND - LEFT SIDE (MOTORCYCLE PASSENGER) 5 - SECOND - MIDDLE 6 - SECOND - RIGHT SIDE 7 - THIRD - LEFT SIDE (MOTORCYCLE SIDE CAR) 8 - THIRD - MIDDLE 9 - THIRD - RIGHT SIDE 10 - SLEEPER SECTION OF TRUCK CAB	1 - NOT DEPLOYED 2 - DEPLOYED FRONT 3 - DEPLOYED SIDE 4 - DEPLOYED BOTH FRONT / SIDE 5 - NOT APPLICABLE 9 - DEPLOYMENT UNKNOWN	1 - CLASS A 2 - CLASS B 3 - CLASS C 4 - REGULAR CLASS (OHIO = D) 5 - MIC MOPED ONLY 6 - NO VALID OL	1 - ALCOHOL INTERLOCK DEVICE 2 - CDL INTRASTATE ONLY 3 - CORRECTIVE LENSES 4 - FARM WAIVER 5 - EXCEPT CLASS A BUS 6 - EXCEPT CLASS A & CLASS B BUS 7 - EXCEPT TRACTOR-TRAILER 8 - INTERMEDIATE LICENSE RESTRICTIONS 9 - LEARNER'S PERMIT RESTRICTIONS 10 - LIMITED TO DAYLIGHT ONLY 11 - LIMITED TO EMPLOYMENT 12 - LIMITED - OTHER 13 - MECHANICAL DEVICES (SPECIAL BRAKES, HAND CONTROLS, OR OTHER ADAPTIVE DEVICES) 14 - MILITARY VEHICLES ONLY 15 - MOTOR VEHICLES WITHOUT AIR BRAKES 16 - OUTSIDE MIRROR 17 - PROSTHETIC AID 18 - OTHER	1 - NOT DISTRACTED 2 - MANUALLY OPERATING AN ELECTRONIC COMMUNICATION DEVICE (TEXTING, TYPING, DIALING) 3 - TALKING ON HANDS-FREE COMMUNICATION DEVICE 4 - TALKING ON HAND-HELD COMMUNICATION DEVICE 5 - OTHER ACTIVITY WITH AN ELECTRONIC DEVICE 6 - PASSENGER 7 - OTHER DISTRACTION INSIDE THE VEHICLE 8 - OTHER DISTRACTION OUTSIDE THE VEHICLE 9 - OTHER / UNKNOWN	1 - NONE GIVEN 2 - TEST REFUSED 3 - TEST GIVEN, CONTAMINATED SAMPLE / UNUSABLE 4 - TEST GIVEN, RESULTS KNOWN 5 - TEST GIVEN, RESULTS UNKNOWN
INJURED TAKEN BY 1 - NOT TRANSPORTED / TREATED AT SCENE 2 - EMS 3 - POLICE 9 - OTHER / UNKNOWN		EJECTION 1 - NOT EJECTED 2 - PARTIALLY EJECTED 3 - TOTALLY EJECTED 4 - NOT APPLICABLE	OL ENDORSEMENT H - HAZMAT M - MOTORCYCLE P - PASSENGER N - TANKER Q - MOTOR SCOOTER R - THREE-WHEEL MOTORCYCLE S - SCHOOL BUS T - DOUBLE & TRIPLE TRAILERS X - TANKER / HAZMAT			ALCOHOL TEST TYPE 1 - NONE 2 - BLOOD 3 - URINE 4 - BREATH 5 - OTHER
SAFETY EQUIPMENT 1 - NONE USED 2 - SHOULDER BELT ONLY USED 3 - LAP BELT ONLY USED 4 - SHOULDER & LAP BELT USED 5 - CHILD RESTRAINT SYSTEM - FORWARD FACING 6 - CHILD RESTRAINT SYSTEM - REAR FACING 7 - BOOSTER SEAT 8 - HELMET USED 9 - PROTECTIVE PADS USED (ELBOW, KNEES, ETC.) 10 - REFLECTIVE CLOTHING 11 - LIGHTING - PEDESTRIAN / BICYCLE ONLY 99 - OTHER / UNKNOWN	11 - PASSENGER IN OTHER ENCLOSED CARGO AREA (NON-TRAILING UNIT, BUS, PICK-UP WITH CAP) 12 - PASSENGER IN UNENCLOSED CARGO AREA 13 - TRAILING UNIT 14 - RIDING ON VEHICLE EXTERIOR (NON-TRAILING UNIT) 15 - NON-MOTORIST 99 - OTHER / UNKNOWN	TRAPPED 1 - NOT TRAPPED 2 - EXTRICATED BY MECHANICAL MEANS 3 - FREED BY NON-MECHANICAL MEANS	GENDER F - FEMALE M - MALE U - OTHER / UNKNOWN		CONDITION 1 - APPARENTLY NORMAL 2 - PHYSICAL IMPAIRMENT 3 - EMOTIONAL (E.G., DEPRESSED, ANGRY, DISTURBED) 4 - ILLNESS 5 - FELL ASLEEP, FAINTED, FATIGUED, ETC. 6 - UNDER THE INFLUENCE OF MEDICATIONS / DRUGS / ALCOHOL 9 - OTHER / UNKNOWN	DRUG TEST TYPE 1 - NONE 2 - BLOOD 3 - URINE 4 - OTHER
						DRUG TEST RESULT(S) 1 - AMPHETAMINES 2 - BARBITURATES 3 - BENZODIAZEPINES 4 - CANNABINOIDS 5 - COCAINE 6 - OPIATES / OPIOIDS 7 - OTHER 8 - NEGATIVE RESULTS