

TRAFFIC CRASH REPORT

*DENOTES MANDATORY FIELD FOR SUPPLEMENT REPORT

LOCAL REPORT NUMBER*

<input type="checkbox"/> PHOTOS TAKEN <input type="checkbox"/> SECONDARY CRASH <input type="checkbox"/> OH-2 <input type="checkbox"/> OH-1P <input type="checkbox"/> OTHER <input type="checkbox"/> PRIVATE PROPERTY		LOCAL INFORMATION REPORTING AGENCY NAME* City of Kent Police NCIC* 06703	LOCAL REPORT NUMBER* 2023-00001167
---	--	--	--

COUNTY* 67	LOCALITY* 1-CITY 2-VILLAGE 3-TOWNSHIP 1	LOCATION: CITY, VILLAGE, TOWNSHIP* Kent	CRASH DATE / TIME* 01222023/1220	CRASH SEVERITY 1-FATAL 2-SERIOUS INJURY SUSPECTED 3-MINOR INJURY SUSPECTED 4-INJURY POSSIBLE 5-PROPERTY DAMAGE ONLY 5
----------------------	--	---	--	--

ROUTE TYPE S R	ROUTE NUMBER 43	PREFIX 1	N - NORTH S - SOUTH E - EAST W - WEST	LOCATION ROAD NAME MANTUA	ROAD TYPE S T	LATITUDE DECIMAL DEGREES 41.153980
ROUTE TYPE	ROUTE NUMBER	PREFIX	N - NORTH S - SOUTH E - EAST W - WEST	REFERENCE ROAD NAME (ROAD, MILEPOST, HOUSE #) MAIN	ROAD TYPE S T	LONGITUDE DECIMAL DEGREES -81.362564

REFERENCE POINT 1- INTERSECTION 2- MILE POST 3- HOUSE # 1	DIRECTION FROM REFERENCE N - NORTH S - SOUTH E - EAST W - WEST 1	ROUTE TYPE IR - INTERSTATE ROUTE (TP) US - FEDERAL US ROUTE SR - STATE ROUTE CR - NUMBERED COUNTY ROUTE TR - NUMBERED TOWNSHIP ROUTE	ROAD TYPE AL - ALLEY AV - AVENUE BL - BOULEVARD CR - CIRCLE CT - COURT DR - DRIVE HE - HEIGHTS HW - HIGHWAY LA - LANE MP - MILEPOST OV - OVAL PK - PARKWAY PI - PIKE PL - PLACE RD - ROAD SQ - SQUARE ST - STREET TE - TERRACE TL - TRAIL WA - WAY	INTERSECTION RELATED <input checked="" type="checkbox"/> WITHIN INTERSECTION OR ON APPROACH <input type="checkbox"/> WITHIN INTERCHANGE AREA NUMBER OF APPROACHES 3
DISTANCE FROM REFERENCE 100	DISTANCE UNIT OF MEASURE 1 - MILES 2 - FEET 3 - YARDS 2	ROADWAY <input type="checkbox"/> ROADWAY DIVIDED		

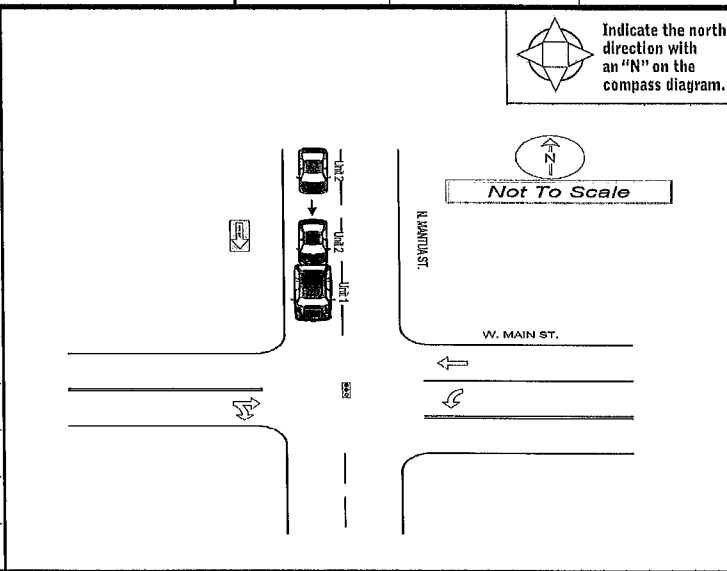
LOCATION OF FIRST HARMFUL EVENT 1- ON ROADWAY 2- ON SHOULDER 3- IN MEDIAN 4- ON ROADSIDE 5- ON GORE 6- OUTSIDE TRAFFIC WAY 7- ON RAMP 8- OFF RAMP 01	9- CROSSOVER 10- DRIVEWAY/ALLEY ACCESS 11- RAILWAY GRADE CROSSING 12- SHARED USE PATHS OR TRAILS 13- BIKE LANE 14- TOLL BOOTH 99- OTHER / UNKNOWN	MANNER OF CRASH COLLISION/IMPACT 1- NOT COLLISION BETWEEN TWO MOTOR VEHICLES IN TRANSPORT 2- REAR-END 3- HEAD-ON 4- REAR-TO-REAR 5- BACKING 6- ANGLE 7- SIDESWIPE, SAME DIRECTION 8- SIDESWIPE, OPPOSITE DIRECTION 9- OTHER / UNKNOWN 2	DIRECTION OF TRAVEL N - NORTH S - SOUTH E - EAST W - WEST	MEDIAN TYPE 1- DIVIDED FLUSH MEDIAN (<4 FEET) 2- DIVIDED FLUSH MEDIAN (≥4 FEET) 3- DIVIDED, DEPRESSED MEDIAN (ANY TYPE) 4- DIVIDED, RAISED MEDIAN (ANY TYPE) 9- OTHER/UNKNOWN
--	---	--	---	--

<input type="checkbox"/> WORK ZONE RELATED <input type="checkbox"/> WORKERS PRESENT <input type="checkbox"/> LAW ENFORCEMENT PRESENT <input type="checkbox"/> ACTIVE SCHOOL ZONE	WORK ZONE TYPE 1- LANE CLOSURE 2- LANE SHIFT/CROSSOVER 3- WORK ON SHOULDER OR MEDIAN 4- INTERMITTENT OR MOVING WORK 5- OTHER	LOCATION OF CRASH IN WORK ZONE 1- BEFORE THE 1ST WORK ZONE WARNING SIGN 2- ADVANCE WARNING AREA 3- TRANSITION AREA 4- ACTIVITY AREA 5- TERMINATION AREA	CONTOUR 1 1- STRAIGHT LEVEL 2- STRAIGHT GRADE 3- CURVE LEVEL 4- CURVE GRADE 9- OTHER/UNKNOWN	CONDITIONS 3 1- DRY 2- WET 3- SNOW 4- ICE 5- SAND, MUD, DIRT, OIL, GRAVEL 6- WATER (STANDING, MOVING) 7- SLUSH 9- OTHER/UNKNOWN	SURFACE 2 1- CONCRETE 2- BLACKTOP, BITUMINOUS, ASPHALT 3- BRICK/BLOCK 4- SLAG, GRAVEL, STONE 5- DIRT 9- OTHER/UNKNOWN
---	---	--	---	---	---

LIGHT CONDITION 1- DAYLIGHT 2- DAWN/DUSK 3- DARK - LIGHTED ROADWAY 4- DARK - ROADWAY NOT LIGHTED 5- DARK - UNKNOWN ROADWAY LIGHTING 9- OTHER / UNKNOWN 1	WEATHER 1- CLEAR 2- CLOUDY 3- FOG, SMOG, SMOKE 4- RAIN 5- SLEET, HAIL 6- SNOW 7- SEVERE CROSSWINDS 8- BLOWING SAND, SOIL, DIRT, SNOW 9- FREEZING RAIN OR FREEZING DRIZZLE 99- OTHER / UNKNOWN 06
--	--

NARRATIVE

UNITS 1 AND 2 WERE SB ON N. MANTUA ST. APPROACHING W. MAIN ST. UNIT 1 STOPPED AT THE RED LIGHT. UNIT 2 FAILED TO MAINTAIN ASSURED CLEAR DISTANCE AHEAD AND STRUCK UNIT 1. THE ROADS WERE SNOW COVERED AND SLICK DUE TO WEATHER.



CRASH REPORTED DATE / TIME 01222023/1220	DISPATCH DATE / TIME 01222023/1222	ARRIVAL DATE / TIME 01222023/1223	SCENE CLEARED DATE / TIME 01222023/1247	REPORT TAKEN BY <input checked="" type="checkbox"/> POLICE AGENCY <input type="checkbox"/> MOTORIST
TOTAL TIME ROADWAY CLOSED 000	OTHER INVESTIGATION TIME 030	TOTAL MINUTES 055	OFFICER'S NAME* Burton, Samantha L	CHECKED BY OFFICER'S NAME* Ennemoser, James
			OFFICER'S BADGE NUMBER* 251	CHECKED BY OFFICER'S BADGE NUMBER* 255

OWNER

UNIT # 01 OWNER NAME: LAST, FIRST, MIDDLE (☒ SAME AS DRIVER) **JERNIGAN, JORDAN, ASHLIE**

OWNER ADDRESS: STREET, CITY, STATE, ZIP (☒ SAME AS DRIVER)
174 WICHITA PL, Akron, OH 44313

COMMERCIAL CARRIER: NAME, ADDRESS, CITY, STATE, ZIP _____

OWNER PHONE: (INCLUDE AREA CODE) (☒ SAME AS DRIVER) _____

COMMERCIAL CARRIER PHONE: (INCLUDE AREA CODE) _____

VEHICLE

LP STATE OH LICENSE PLATE # JSF6834 VEHICLE IDENTIFICATION # KNDEUCA1N7290914 VEHICLE YEAR 2022 VEHICLE MAKE Kia Motors Corporation

INSURANCE VERIFIED INSURANCE COMPANY STATE FARM INSURANCE POLICY # 2537817STP35 COLOR WHI VEHICLE MODEL SELTOS

TYPE OF USE: COMMERCIAL GOVERNMENT IN EMERGENCY RESPONSE

US DOT # _____ TOWED BY: COMPANY NAME _____

INTERLOCK DEVICE EQUIPPED HIT/SKIP UNIT #OCCUPANTS 01 VEHICLE WEIGHT GVWR/GCWR: 1 - ≤10K LBS., 2 - 10,001 - 26K LBS., 3 - >26K LBS.

HAZARDOUS MATERIAL: MATERIAL RELEASED PLACARD CLASS # _____ PLACARD ID # _____

UNIT TYPE: 03 1 - PASSENGER CAR 7 - MOTORCYCLE 2-WHEELED 12 - GOLF CART 18 - LIMO (LIVERY VEHICLE) 23 - PEDESTRIAN / SKATER
 2 - PASSENGER VAN (MINIVAN) 8 - MOTORCYCLE 3-WHEELED 13 - SNOWMOBILE 19 - BUS (16+ PASSENGERS) 24 - WHEELCHAIR (ANY TYPE)
 3 - SPORT UTILITY VEHICLE 9 - AUTOCYCLE 14 - SINGLE UNIT TRUCK 20 - OTHER VEHICLE 25 - OTHER NON-MOTORIST
 4 - PICK UP 10 - MOPED OR MOTORIZED BICYCLE 15 - SEMI-TRACTOR 21 - HEAVY EQUIPMENT 26 - BICYCLE
 5 - CARGO VAN 11 - ALL TERRAIN VEHICLE (ATV / UTV) 16 - FARM EQUIPMENT 22 - ANIMAL WITH RIDER OR ANIMAL-DRAWN VEHICLE 27 - TRAIN
 6 - VAN (9-15 SEATS) 17 - MOTORHOME 99 - UNKNOWN OR HITSKIP

OF TRAILING UNITS _____

WAS VEHICLE OPERATING IN AUTONOMOUS MODE WHEN CRASH OCCURRED? 2 1 - YES 2 - NO 9 - OTHER / UNKNOWN AUTONOMOUS MODE LEVEL: 0 0 - NO AUTOMATION 1 - DRIVER ASSISTANCE 2 - PARTIAL AUTOMATION 3 - CONDITIONAL AUTOMATION 4 - HIGH AUTOMATION 5 - FULL AUTOMATION 9 - UNKNOWN

SPECIAL FUNCTION: 01 1 - NONE 6 - BUS - CHARTER/TOUR 11 - FIRE 16 - FARM 21 - MAIL CARRIER
 2 - TAXI 7 - BUS - INTERCITY 12 - MILITARY 17 - MOWING 99 - OTHER / UNKNOWN
 3 - ELECTRONIC RIDE SHARING 8 - BUS - SHUTTLE 13 - POLICE 18 - SNOW REMOVAL
 4 - SCHOOL TRANSPORT 9 - BUS - OTHER 14 - PUBLIC UTILITY 19 - TOWING
 5 - BUS - TRANSIT/COMMUTER 10 - AMBULANCE 15 - CONSTRUCTION EQUIPMENT 20 - SAFETY SERVICE PATROL

CARGO BODY TYPE: 01 1 - NO CARGO BODY TYPE / NOT APPLICABLE 3 - VEHICLE TOWING ANOTHER MOTOR VEHICLE 5 - INTERMODAL CONTAINER CHASSIS 8 - POLE 12 - CONCRETE MIXER
 2 - BUS 4 - LOGGING 6 - CARGO VAN/ENCLOSED BOX 7 - GRAIN/CHIPS/GRAVEL 9 - CARGO TANK 10 - FLAT BED 11 - DUMP 13 - AUTO TRANSPORTER
 14 - GARBAGE/REFUSE 99 - OTHER / UNKNOWN

VEHICLE DEFECTS: 1 - TURN SIGNALS 4 - BRAKES 7 - WORN OR SLICK TIRES 9 - MOTOR TROUBLE 99 - OTHER / UNKNOWN
 2 - HEAD LAMPS 5 - STEERING 8 - TRAILER EQUIPMENT DEFECTIVE 10 - DISABLED FROM PRIOR ACCIDENT
 3 - TAIL LAMPS 6 - TIRE BLOWOUT

EVENT(S)

NON-MOTORIST LOCATION AT IMPACT: 01 1 - INTERSECTION - MARKED CROSSWALK 3 - INTERSECTION - OTHER 6 - BICYCLE LANE 9 - MEDIAN/CROSSING ISLAND 12 - FIRST RESPONDER AT INCIDENT SCENE
 2 - INTERSECTION - UNMARKED CROSSWALK 4 - MIDBLOCK - MARKED CROSSWALK 7 - SHOULDER / ROADSIDE 10 - DRIVEWAY ACCESS 11 - SHARED USE PATHS OR TRAILS 99 - OTHER / UNKNOWN

ACTION: 4 1 - NON-CONTACT 1 - STRAIGHT AHEAD 7 - MAKING U-TURN 13 - NEGOTIATING A CURVE 18 - APPROACHING OR LEAVING VEHICLE
 2 - NON-COLLISION 2 - BACKING 8 - ENTERING TRAFFIC LANE 14 - ENTERING OR CROSSING SPECIFIED LOCATION 19 - STANDING
 3 - STRIKING 11 3 - CHANGING LANES 9 - LEAVING TRAFFIC LANE 15 - WALKING, RUNNING, JOGGING, PLAYING 20 - OTHER NON-MOTORIST
 4 - STRUCK PRE-CRASH ACTIONS 4 - OVERTAKING/PASSING 10 - PARKED 16 - WORKING 21 - STANDING OUTSIDE DISABLED VEHICLE
 5 - BOTH STRIKING & STRUCK 5 - MAKING RIGHT TURN 11 - SLOWING OR STOPPED IN TRAFFIC 17 - PUSHING VEHICLE 99 - OTHER / UNKNOWN
 9 - OTHER / UNKNOWN 6 - MAKING LEFT TURN 12 - DRIVERLESS 99 - OTHER / UNKNOWN

CONTRIBUTING CIRCUMSTANCES: 01 1 - NONE 7 - LEFT OF CENTER 13 - IMPROPER START FROM A PARKED POSITION 17 - VISION OBSTRUCTION 21 - LYING IN ROADWAY
 2 - FAILURE TO YIELD 8 - FOLLOWING TOO CLOSE / ACDA 14 - STOPPED OR PARKED ILLEGALLY 18 - OPERATING DEFECTIVE EQUIPMENT 22 - NOT DISCERNIBLE
 3 - RAN RED LIGHT 9 - IMPROPER LANE CHANGE 15 - SWERVING TO AVOID 19 - LOAD SHIFTING/FALLING/SPILLING 23 - OPENING DOOR INTO ROADWAY
 4 - RAN STOP SIGN 10 - IMPROPER PASSING 16 - WRONG WAY 20 - IMPROPER CROSSING 99 - OTHER IMPROPER ACTION
 5 - UNSAFE SPEED 11 - DROVE OFF ROAD 12 - IMPROPER BACKING

SEQUENCE OF EVENTS: 1 2 0 1 - OVERTURN/ROLLOVER 6 - EQUIPMENT FAILURE 11 - CROSS CENTERLINE - OPPOSITE DIRECTION OF TRAVEL 16 - RAILWAY VEHICLE 22 - WORK ZONE MAINTENANCE EQUIPMENT
 2 - FIRE/EXPLOSION 7 - SEPARATION OF UNITS 12 - DOWNHILL RUNAWAY 17 - ANIMAL - FARM 23 - STRUCK BY FALLING, SHIFTING CARGO OR ANYTHING SET IN MOTION BY A MOTOR VEHICLE
 3 - IMMERSION 8 - RAN OFF ROAD RIGHT 13 - OTHER NON-COLLISION 18 - ANIMAL - DEER 20 - MOTOR VEHICLE IN TRANSPORT 24 - OTHER MOVABLE OBJECT
 4 - JACKKNIFE 9 - RAN OFF ROAD LEFT 14 - PEDESTRIAN 19 - ANIMAL - OTHER 21 - PARKED MOTOR VEHICLE
 5 - CARGO / EQUIPMENT LOSS OR SHIFT 10 - CROSS MEDIAN 15 - PEDALCYCLE 22 - WORK ZONE MAINTENANCE EQUIPMENT
 6 - IMPROPER TURN 12 - IMPROPER BACKING 31 - GUARDRAIL END 37 - TRAFFIC SIGN POST 43 - CURB 50 - WORK ZONE MAINTENANCE EQUIPMENT
 25 - IMPACT ATTENUATOR / CRASH CUSHION 32 - PORTABLE BARRIER 38 - OVERHEAD SIGN POST 44 - DITCH 51 - WALL
 26 - BRIDGE OVERHEAD STRUCTURE 33 - MEDIAN CABLE BARRIER 39 - LIGHT / LUMINARIES SUPPORT 45 - EMBANKMENT 52 - BUILDING
 27 - BRIDGE PIER OR ABUTMENT BARRIER 40 - UTILITY POLE 46 - FENCE 53 - TUNNEL
 28 - BRIDGE PARAPET 35 - MEDIAN CONCRETE BARRIER 41 - OTHER POST, POLE OR SUPPORT 48 - TREE 54 - OTHER FIXED OBJECT
 29 - BRIDGE RAIL 36 - MEDIAN OTHER BARRIER 42 - CULVERT 49 - FIRE HYDRANT 99 - OTHER / UNKNOWN
 30 - GUARDRAIL FACE

FIRST HARMFUL EVENT: 1 MOST HARMFUL EVENT: 1

LOCAL REPORT NUMBER
2023-00001167

DAMAGE

DAMAGE SCALE: 2 1 - NONE 3 - FUNCTIONAL DAMAGE
 2 - MINOR DAMAGE 4 - DISABLING DAMAGE
 9 - UNKNOWN

DAMAGED AREA(S) INDICATE ALL THAT APPLY

INITIAL POINT OF CONTACT: 06 0 - NO DAMAGE 14 - UNDERCARRIAGE
 1-12 - REFER TO UNIT DIAGRAM 15 - VEHICLE NOT AT SCENE
 99 - UNKNOWN
 13 - TOP

TRAFFIC

TRAFFICWAY FLOW: 1 1 - ONE-WAY 2 - TWO-WAY

TRAFFIC CONTROL: 2 1 - ROUNDABOUT 4 - STOP SIGN
 2 - SIGNAL 5 - YIELD SIGN
 3 - FLASHER 6 - NO CONTROL

OF THROUGH LANES ON ROAD: 2

RAIL GRADE CROSSING: 1 1 - NOT INVOLVED
 2 - INVOLVED-ACTIVE CROSSING
 3 - INVOLVED-PASSIVE CROSSING

UNIT / NON-MOTORIST DIRECTION: FROM 1 TO 2

UNIT SPEED: 000

POSTED SPEED: 35

DETECTED SPEED: 1 1 - STATED / ESTIMATED SPEED
 2 - CALCULATED / EDR
 3 - UNDETERMINED

OWNER
UNIT # 0 2 **OWNER NAME: LAST, FIRST, MIDDLE (X SAME AS DRIVER)**
BRADLEY, STERLING, KENT
OWNER ADDRESS: STREET, CITY, STATE, ZIP (X SAME AS DRIVER)
1531 LINCOLN ST, Kent, OH 44240
COMMERCIAL CARRIER: NAME, ADDRESS, CITY, STATE, ZIP

OWNER PHONE: INCLUDE AREA CODE / (X) CAMP AS DRIVER
COMMERCIAL CARRIER PHONE: INCLUDE AREA CODE

LP STATE OH **LICENSE PLATE #** HST8506 **VEHICLE IDENTIFICATION #** JTDKARFP3J3089044 **VEHICLE YEAR** 2018 **VEHICLE MAKE** Toyota
 INSURANCE VERIFIED **INSURANCE COMPANY** NATIONWIDE **INSURANCE POLICY #** 9234J205084 **COLOR** SIL **VEHICLE MODEL** PRIUS
 COMMERCIAL **GOVERNMENT** **IN EMERGENCY RESPONSE** **US DOT #** _____ **TOWED BY: COMPANY NAME** _____
 INTERLOCK DEVICE EQUIPPED **HIT/SKIP UNIT** **#OCCUPANTS** 0 1 **VEHICLE WEIGHT GVWR/GCWR**
 1 - <10K LBS.
 2 - 10,001 - 26K LBS.
 3 - >26K LBS.
 MATERIAL RELEASED **PLACARD** **HAZARDOUS MATERIAL CLASS #** _____ **PLACARD ID #** _____

UNIT TYPE 0 1
 1 - PASSENGER CAR 7 - MOTORCYCLE 2-WHEELED 12 - GOLF CART 18 - LIMO (LIVERY VEHICLE) 23 - PEDESTRIAN / SKATER
 2 - PASSENGER VAN (MINIVAN) 8 - MOTORCYCLE 3-WHEELED 13 - SNOWMOBILE 19 - BUS (16+ PASSENGERS) 24 - WHEELCHAIR (ANY TYPE)
 3 - SPORT UTILITY VEHICLE 9 - AUTOCYCLE 14 - SINGLE UNIT TRUCK 20 - OTHER VEHICLE 25 - OTHER NON-MOTORIST
 4 - PICK UP 10 - MOPED OR MOTORIZED BICYCLE 15 - SEMI-TRACTOR 21 - HEAVY EQUIPMENT 26 - BICYCLE
 5 - CARGO VAN 11 - ALL TERRAIN VEHICLE (ATV / UTV) 16 - FARM EQUIPMENT 22 - ANIMAL WITH RIDER OR ANIMAL-DRAWN VEHICLE 27 - TRAIN
 6 - VAN (9-15 SEATS) 17 - MOTORHOME 99 - UNKNOWN OR HIT/SKIP
OF TRAILING UNITS _____

WAS VEHICLE OPERATING IN AUTONOMOUS MODE WHEN CRASH OCCURRED? 2
 1 - YES 2 - NO 9 - OTHER / UNKNOWN **AUTONOMOUS MODE LEVEL** 0
 0 - NO AUTOMATION 1 - DRIVER ASSISTANCE 2 - PARTIAL AUTOMATION 3 - CONDITIONAL AUTOMATION 4 - HIGH AUTOMATION 5 - FULL AUTOMATION 9 - UNKNOWN

SPECIAL FUNCTION 0 1
 1 - NONE 6 - BUS - CHARTER/TOUR 11 - FIRE 16 - FARM 21 - MAIL CARRIER
 2 - TAXI 7 - BUS - INTERCITY 12 - MILITARY 17 - MOWING 99 - OTHER / UNKNOWN
 3 - ELECTRONIC RIDE SHARING 8 - BUS - SHUTTLE 13 - POLICE 18 - SNOW REMOVAL
 4 - SCHOOL TRANSPORT 9 - BUS - OTHER 14 - PUBLIC UTILITY 19 - TOWING
 5 - BUS - TRANSIT/COMMUTER 10 - AMBULANCE 15 - CONSTRUCTION EQUIPMENT 20 - SAFETY SERVICE PATROL

CARGO BODY TYPE 0 1
 1 - NO CARGO BODY TYPE / NOT APPLICABLE 3 - VEHICLE TOWING ANOTHER MOTOR VEHICLE 5 - INTERMODAL CONTAINER CHASSIS 8 - POLE 12 - CONCRETE MIXER
 2 - BUS 4 - LOGGING 6 - CARGO VAN/ENCLOSED BOX 9 - CARGO TANK 13 - AUTOTRANSPORTER
 7 - GRAIN/CHIPS/GRAVEL 10 - FLAT BED 11 - DUMP 14 - GARBAGE/REFUSE 99 - OTHER / UNKNOWN

VEHICLE DEFECTS
 1 - TURN SIGNALS 4 - BRAKES 7 - WORN OR SLICK TIRES 9 - MOTOR TROUBLE 99 - OTHER / UNKNOWN
 2 - HEAD LAMPS 5 - STEERING 8 - TRAILER EQUIPMENT DEFECTIVE 10 - DISABLED FROM PRIOR ACCIDENT
 3 - TAIL LAMPS 6 - TIRE BLOWOUT

NON-MOTORIST LOCATION AT IMPACT
 1 - INTERSECTION - MARKED CROSSWALK 3 - INTERSECTION - OTHER 6 - BICYCLE LANE 9 - MEDIAN/CROSSING ISLAND 12 - FIRST RESPONDER AT INCIDENT SCENE
 2 - INTERSECTION - UNMARKED CROSSWALK 4 - MIDDLEBLOCK - MARKED CROSSWALK 7 - SHOULDER / ROADSIDE 10 - DRIVEWAY ACCESS 99 - OTHER / UNKNOWN
 5 - TRAVEL LANE - OTHER LOCATION 8 - SIDEWALK 11 - SHARED USE PATHS OR TRAILS

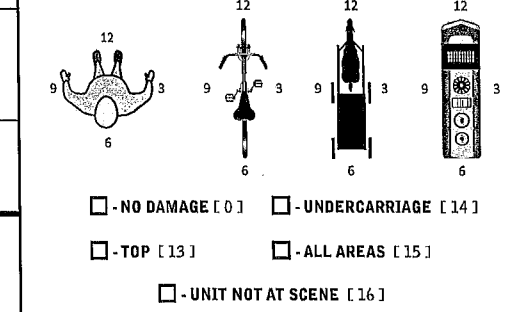
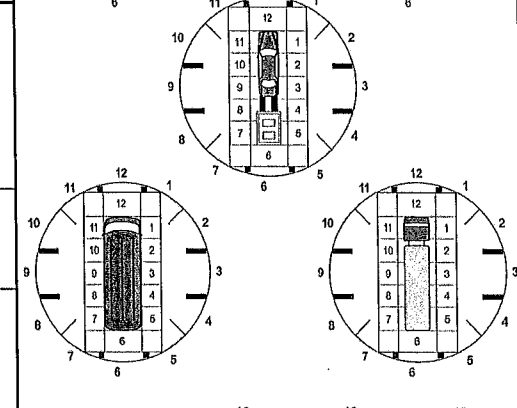
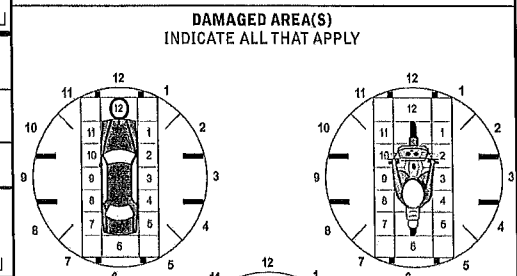
ACTION 3 **PRE-CRASH ACTIONS** 0 1
 1 - NON-CONTACT 2 - NON-COLLISION 3 - STRIKING 4 - STRUCK 5 - BOTH STRIKING & STRUCK 9 - OTHER / UNKNOWN
 1 - STRAIGHT AHEAD 2 - BACKING 3 - CHANGING LANES 4 - OVERTAKING/PASSING 5 - MAKING RIGHT TURN 6 - MAKING LEFT TURN
 7 - MAKING U-TURN 8 - ENTERING TRAFFIC LANE 9 - LEAVING TRAFFIC LANE 10 - PARKED 11 - SLOWING OR STOPPED IN TRAFFIC 12 - DRIVERLESS
 13 - NEGOTIATING A CURVE 14 - ENTERING OR CROSSING SPECIFIED LOCATION 15 - WALKING, RUNNING, JOGGING, PLAYING 16 - WORKING 17 - PUSHING VEHICLE
 18 - APPROACHING OR LEAVING VEHICLE 19 - STANDING 20 - OTHER NON-MOTORIST 21 - STANDING OUTSIDE DISABLED VEHICLE 99 - OTHER / UNKNOWN

CONTRIBUTING CIRCUMSTANCES 0 8
 1 - NONE 7 - LEFT OF CENTER 13 - IMPROPER START FROM A PARKED POSITION 17 - VISION OBSTRUCTION 21 - LYING IN ROADWAY
 2 - FAILURE TO YIELD 8 - FOLLOWING TOO CLOSE / ACDA 14 - STOPPED OR PARKED ILLEGALLY 18 - OPERATING DEFECTIVE EQUIPMENT 22 - NOT DISCERNIBLE
 3 - RAN RED LIGHT 9 - IMPROPER LANE CHANGE 15 - SWERVING TO AVOID 19 - LOAD SHIFTING/FALLING/ SPILLING 23 - OPENING DOOR INTO ROADWAY
 4 - RAN STOP SIGN 10 - IMPROPER PASSING 16 - WRONG WAY 20 - IMPROPER CROSSING 99 - OTHER IMPROPER ACTION
 5 - UNSAFE SPEED 11 - DROVE OFF ROAD 12 - IMPROPER BACKING

SEQUENCE OF EVENTS
1 2 0
 1 - OVERTURN/ROLLOVER 6 - EQUIPMENT FAILURE 11 - CROSS CENTERLINE - OPPOSITE DIRECTION OF TRAVEL 16 - RAILWAY VEHICLE 22 - WORK ZONE MAINTENANCE EQUIPMENT
 2 - FIRE/EXPLOSION 7 - SEPARATION OF UNITS 12 - DOWNHILL RUNAWAY 17 - ANIMAL - FARM 23 - STRUCK BY FALLING, SHIFTING CARGO OR ANYTHING SET IN MOTION BY A MOTOR VEHICLE
 3 - IMMERSION 8 - RAN OFF ROAD RIGHT 13 - OTHER NON-COLLISION 18 - ANIMAL - DEER 20 - MOTOR VEHICLE IN TRANSPORT 24 - OTHER MOVABLE OBJECT
 4 - JACKKNIFE 9 - RAN OFF ROAD LEFT 14 - PEDESTRIAN 19 - ANIMAL - OTHER 21 - PARKED MOTOR VEHICLE
 5 - CARGO / EQUIPMENT LOSS OR SHIFT 10 - CROSS MEDIAN 15 - PEDALCYCLE
COLLISION WITH FIXED OBJECT - STRUCK
 25 - IMPACT ATTENUATOR / CRASH CUSHION 31 - GUARDRAIL END 37 - TRAFFIC SIGN POST 43 - CURB 50 - WORK ZONE MAINTENANCE EQUIPMENT
 26 - BRIDGE OVERHEAD STRUCTURE 32 - PORTABLE BARRIER 38 - OVERHEAD SIGN POST 44 - DITCH 51 - WALL
 27 - BRIDGE PIER OR ABUTMENT 33 - MEDIAN CABLE BARRIER 39 - LIGHT / LUMINARIES SUPPORT 45 - EMBANKMENT 52 - BUILDING
 28 - BRIDGE PARAPET 34 - MEDIAN GUARDRAIL BARRIER 40 - UTILITY POLE 46 - FENCE 53 - TUNNEL
 29 - BRIDGE RAIL 35 - MEDIAN CONCRETE BARRIER 41 - OTHER POST, POLE OR SUPPORT 47 - MAILBOX 54 - OTHER FIXED OBJECT 99 - OTHER / UNKNOWN
 30 - GUARDRAIL FACE 36 - MEDIAN OTHER BARRIER 42 - CULVERT 48 - TREE 49 - FIRE HYDRANT

FIRST HARMFUL EVENT 1 **MOST HARMFUL EVENT** 1

LOCAL REPORT NUMBER
2023-00001167
DAMAGE
DAMAGE SCALE
2 1 - NONE 3 - FUNCTIONAL DAMAGE
 2 - MINOR DAMAGE 4 - DISABLING DAMAGE
 9 - UNKNOWN



INITIAL POINT OF CONTACT
1 2 0 - NO DAMAGE 14 - UNDERCARRIAGE
 1-12 - REFER TO UNIT DIAGRAM 15 - VEHICLE NOT AT SCENE
 13 - TOP 99 - UNKNOWN

TRAFFIC

TRAFFICWAY FLOW
1 1 - ONE-WAY 2 2 - TWO-WAY

TRAFFIC CONTROL
 1 - ROUNDABOUT 4 - STOP SIGN
 2 - SIGNAL 5 - YIELD SIGN
 3 - FLASHER 6 - NO CONTROL

OF THROUGH LANES ON ROAD 2

RAIL GRADE CROSSING 1
 1 - NOT INVOLVED
 2 - INVOLVED-ACTIVE CROSSING
 3 - INVOLVED-PASSIVE CROSSING

UNIT / NON-MOTORIST DIRECTION
FROM 1 **TO** 2
 1 - NORTH 5 - NORTHEAST
 2 - SOUTH 6 - NORTHWEST
 3 - EAST 7 - SOUTHEAST
 4 - WEST 8 - SOUTHWEST
 9 - OTHER / UNKNOWN

UNIT SPEED 0 0 5

DETECTED SPEED 1
 1 - STATED / ESTIMATED SPEED
 2 - CALCULATED / EDR
 3 - UNDETERMINED

POSTED SPEED 3 5



MOTORIST / Non-MOTORIST

LOCAL REPORT NUMBER
 2 0 2 3 - 0 0 0 0 1 1 6 7

UNIT # 0 1	NAME: LAST, FIRST, MIDDLE JERNIGAN, JORDAN, ASHLIE				DATE OF BIRTH 0 4 3 0 1 9 9 6		AGE 2 6	GENDER F	
ADDRESS: STREET, CITY, STATE, ZIP 174 WICHITA PL, Akron, OH 44313					CONTACT PHONE - INCLUDE AREA CODE				
INJURIES 5	INJURED TAKEN BY	EMS AGENCY (NAME)	INJURED TAKEN TO: MEDICAL FACILITY (NAME, CITY)	SAFETY EQUIPMENT USED 0 4	<input type="checkbox"/> DOT-COMPLIANT MC HELMET	SEATING POSITION 0 1	AIR BAG USAGE 1	EJECTION 1	TRAPPED 1
OL STATE O, H	OPERATOR LICENSE NUMBER		OFFENSE CHARGED	LOCAL CODE <input type="checkbox"/>	OFFENSE DESCRIPTION			CITATION NUMBER	
OL CLASS 4	ENDORSEMENT SELECT UP TO 2	RESTRICTION SELECT UP TO 3	DRIVER DISTRACTED BY 1	ALCOHOL / DRUG SUSPECTED <input type="checkbox"/> ALCOHOL <input type="checkbox"/> MARIJUANA <input type="checkbox"/> OTHER DRUG		CONDITION 1	ALCOHOL TEST STATUS TYPE VALUE 1 1 .		DRUG TEST(S) STATUS TYPE RESULT SELECT UP TO 4 1 1

UNIT # 0 2	NAME: LAST, FIRST, MIDDLE BRADLEY, STERLING, KENT				DATE OF BIRTH 0 6 2 5 1 9 6 3		AGE 5 9	GENDER M	
ADDRESS: STREET, CITY, STATE, ZIP 1531 S LINCOLN ST, Kent, OH 44240					CONTACT PHONE - INCLUDE AREA CODE				
INJURIES 5	INJURED TAKEN BY	EMS AGENCY (NAME)	INJURED TAKEN TO: MEDICAL FACILITY (NAME, CITY)	SAFETY EQUIPMENT USED 0 4	<input type="checkbox"/> DOT-COMPLIANT MC HELMET	SEATING POSITION 0 1	AIR BAG USAGE 1	EJECTION 1	TRAPPED 1
OL STATE O, H	OPERATOR LICENSE NUMBER		OFFENSE CHARGED 333.03	LOCAL CODE <input checked="" type="checkbox"/>	OFFENSE DESCRIPTION Maximum Speed Limits			CITATION NUMBER 25168	
OL CLASS 4	ENDORSEMENT SELECT UP TO 2	RESTRICTION SELECT UP TO 3 0 3	DRIVER DISTRACTED BY 1	ALCOHOL / DRUG SUSPECTED <input type="checkbox"/> ALCOHOL <input type="checkbox"/> MARIJUANA <input type="checkbox"/> OTHER DRUG		CONDITION 1	ALCOHOL TEST STATUS TYPE VALUE 1 1 .		DRUG TEST(S) STATUS TYPE RESULT SELECT UP TO 4 1 1

UNIT #	NAME: LAST, FIRST, MIDDLE				DATE OF BIRTH		AGE	GENDER	
ADDRESS: STREET, CITY, STATE, ZIP					CONTACT PHONE - INCLUDE AREA CODE				
INJURIES	INJURED TAKEN BY	EMS AGENCY (NAME)	INJURED TAKEN TO: MEDICAL FACILITY (NAME, CITY)	SAFETY EQUIPMENT USED	<input type="checkbox"/> DOT-COMPLIANT MC HELMET	SEATING POSITION	AIR BAG USAGE	EJECTION	TRAPPED
OL STATE	OPERATOR LICENSE NUMBER		OFFENSE CHARGED	LOCAL CODE <input type="checkbox"/>	OFFENSE DESCRIPTION			CITATION NUMBER	
OL CLASS	ENDORSEMENT SELECT UP TO 2	RESTRICTION SELECT UP TO 3	DRIVER DISTRACTED BY	ALCOHOL / DRUG SUSPECTED <input type="checkbox"/> ALCOHOL <input type="checkbox"/> MARIJUANA <input type="checkbox"/> OTHER DRUG		CONDITION	ALCOHOL TEST STATUS TYPE VALUE		DRUG TEST(S) STATUS TYPE RESULT SELECT UP TO 4

INJURIES	SEATING POSITION	AIR BAG	OL CLASS	OL RESTRICTION(S)	DRIVER DISTRACTION	TEST STATUS
1 - FATAL 2 - SUSPECTED SERIOUS INJURY 3 - SUSPECTED MINOR INJURY 4 - POSSIBLE INJURY 5 - NO APPARENT INJURY	1 - FRONT - LEFT SIDE (MOTORCYCLE DRIVER) 2 - FRONT - MIDDLE 3 - FRONT - RIGHT SIDE 4 - SECOND - LEFT SIDE (MOTORCYCLE PASSENGER) 5 - SECOND - MIDDLE 6 - SECOND - RIGHT SIDE 7 - THIRD - LEFT SIDE (MOTORCYCLE SIDE CAR) 8 - THIRD - MIDDLE 9 - THIRD - RIGHT SIDE 10 - SLEEPER SECTION OF TRUCK CAB 11 - PASSENGER IN OTHER ENCLOSED CARGO AREA (NON-TRAILING UNIT, BUS, PICK-UP WITH CAP) 12 - PASSENGER IN UNENCLOSED CARGO AREA 13 - TRAILING UNIT 14 - RIDING ON VEHICLE EXTERIOR (NON-TRAILING UNIT) 15 - NON-MOTORIST 99 - OTHER / UNKNOWN	1 - NOT DEPLOYED 2 - DEPLOYED FRONT 3 - DEPLOYED SIDE 4 - DEPLOYED BOTH FRONT / SIDE 5 - NOT APPLICABLE 9 - DEPLOYMENT UNKNOWN	1 - CLASS A 2 - CLASS B 3 - CLASS C 4 - REGULAR CLASS (OHIO = D) 5 - M/C MOPED ONLY 6 - NO VALID OL	1 - ALCOHOL INTERLOCK DEVICE 2 - CDL INTRASTATE ONLY 3 - CORRECTIVE LENSES 4 - FARM WAIVER 5 - EXCEPT CLASS A BUS 6 - EXCEPT CLASS A & CLASS B BUS 7 - EXCEPT TRACTOR-TRAILER 8 - INTERMEDIATE LICENSE RESTRICTIONS 9 - LEARNER'S PERMIT RESTRICTIONS 10 - LIMITED TO DAYLIGHT ONLY 11 - LIMITED TO EMPLOYMENT 12 - LIMITED - OTHER 13 - MECHANICAL DEVICES (SPECIAL BRAKES, HAND CONTROLS, OR OTHER ADAPTIVE DEVICES) 14 - MILITARY VEHICLES ONLY 15 - MOTOR VEHICLES WITHOUT AIR BRAKES 16 - OUTSIDE MIRROR 17 - PROSTHETIC AID 18 - OTHER	1 - NOT DISTRACTED 2 - MANUALLY OPERATING AN ELECTRONIC COMMUNICATION DEVICE (TEXTING, TYPING, DIALING) 3 - TALKING ON HANDS-FREE COMMUNICATION DEVICE 4 - TALKING ON HAND-HELD COMMUNICATION DEVICE 5 - OTHER ACTIVITY WITH AN ELECTRONIC DEVICE 6 - PASSENGER 7 - OTHER DISTRACTION INSIDE THE VEHICLE 8 - OTHER DISTRACTION OUTSIDE THE VEHICLE 9 - OTHER / UNKNOWN	1 - NONE GIVEN 2 - TEST REFUSED 3 - TEST GIVEN, CONTAMINATED SAMPLE / UNUSABLE 4 - TEST GIVEN, RESULTS KNOWN 5 - TEST GIVEN, RESULTS UNKNOWN
INJURED TAKEN BY	EJECTION		OL ENDORSEMENT	CONDITION		ALCOHOL TEST TYPE
1 - NOT TRANSPORTED / TREATED AT SCENE 2 - EMS 3 - POLICE 9 - OTHER / UNKNOWN	1 - NOT EJECTED 2 - PARTIALLY EJECTED 3 - TOTALLY EJECTED 4 - NOT APPLICABLE	H - HAZMAT M - MOTORCYCLE P - PASSENGER N - TANKER Q - MOTOR SCOOTER R - THREE-WHEEL MOTORCYCLE S - SCHOOL BUS T - DOUBLE & TRIPLE TRAILERS X - TANKER / HAZMAT	1 - APPARENTLY NORMAL 2 - PHYSICAL IMPAIRMENT 3 - EMOTIONAL (E.G., DEPRESSED, ANGRY, DISTURBED) 4 - ILLNESS 5 - FELL ASLEEP, FAINTED, FATIGUED, ETC. 6 - UNDER THE INFLUENCE OF MEDICATIONS / DRUGS / ALCOHOL 9 - OTHER / UNKNOWN	1 - NONE 2 - BLOOD 3 - URINE 4 - BREATH 5 - OTHER	1 - NONE 2 - BLOOD 3 - URINE 4 - OTHER	1 - NONE 2 - BLOOD 3 - URINE 4 - OTHER
SAFETY EQUIPMENT	TRAPPED		GENDER		DRUG TEST TYPE	
1 - NONE USED 2 - SHOULDER BELT ONLY USED 3 - LAP BELT ONLY USED 4 - SHOULDER & LAP BELT USED 5 - CHILD RESTRAINT SYSTEM - FORWARD FACING 6 - CHILD RESTRAINT SYSTEM - REAR FACING 7 - BOOSTER SEAT 8 - HELMET USED 9 - PROTECTIVE PADS USED (ELBOW, KNEES, ETC.) 10 - REFLECTIVE CLOTHING 11 - LIGHTING - PEDESTRIAN / BICYCLE ONLY 99 - OTHER / UNKNOWN	1 - NOT TRAPPED 2 - EXTRICATED BY MECHANICAL MEANS 3 - FREED BY NON-MECHANICAL MEANS	F - FEMALE M - MALE U - OTHER / UNKNOWN	1 - NONE 2 - BLOOD 3 - URINE 4 - OTHER	DRUG TEST RESULT(S) 1 - AMPHETAMINES 2 - BARBITURATES 3 - BENZODIAZEPINES 4 - CANNABINOIDS 5 - COCAINE 6 - OPIATES / OPIOIDS 7 - OTHER 8 - NEGATIVE RESULTS		