

TRAFFIC CRASH REPORT

*DENOTES MANDATORY FIELD FOR SUPPLEMENT REPORT

LOCAL REPORT NUMBER*

<input type="checkbox"/> PHOTOS TAKEN <input type="checkbox"/> SECONDARY CRASH <input type="checkbox"/> OH-2 <input checked="" type="checkbox"/> OH-1P <input type="checkbox"/> OTHER <input type="checkbox"/> PRIVATE PROPERTY	LOCAL INFORMATION REPORTING AGENCY NAME* City of Kent Police NCIC* 06703	2023-00008278 HIT/SKIP 1 - SOLVED 2 - UNSOLVED NUMBER OF UNITS 02 UNIT IN ERROR 98 - ANIMAL 99 - UNKNOWN 0
--	--	--

COUNTY* 67	LOCALITY* 1 - CITY 2 - VILLAGE 3 - TOWNSHIP 1	LOCATION: CITY, VILLAGE, TOWNSHIP* Kent	CRASH DATE / TIME* 05282023/1221	CRASH SEVERITY 1 - FATAL 2 - SERIOUS INJURY SUSPECTED 3 - MINOR INJURY SUSPECTED 4 - INJURY POSSIBLE 5 - PROPERTY DAMAGE ONLY 5
----------------------	--	---	--	--

ROUTE TYPE S R	ROUTE NUMBER 59	PREFIX N - NORTH S - SOUTH E - EAST W - WEST 4	LOCATION ROAD NAME MAIN	ROAD TYPE S T	LATITUDE DECIMAL DEGREES 41.151840
ROUTE TYPE	ROUTE NUMBER	PREFIX N - NORTH S - SOUTH E - EAST W - WEST	REFERENCE ROAD NAME (ROAD, MILEPOST, HOUSE #) SPAULDING	ROAD TYPE D R	LONGITUDE DECIMAL DEGREES -81.386735

REFERENCE POINT 1 - INTERSECTION 2 - MILE POST 3 - HOUSE # 1	DIRECTION FROM REFERENCE N - NORTH S - SOUTH E - EAST W - WEST 3	ROUTE TYPE IR - INTERSTATE ROUTE(TP) US - FEDERAL US ROUTE SR - STATE ROUTE CR - NUMBERED COUNTY ROUTE TR - NUMBERED TOWNSHIP ROUTE	ROAD TYPE AL - ALLEY AV - AVENUE BL - BOULEVARD CR - CIRCLE CT - COURT DR - DRIVE HE - HEIGHTS	ROAD TYPE HW - HIGHWAY LA - LANE MP - MILEPOST OV - OVAL PK - PARKWAY PI - PIKE PL - PLACE	RD - ROAD SQ - SQUARE ST - STREET TE - TERRACE TL - TRAIL WA - WAY	INTERSECTION RELATED <input type="checkbox"/> WITHIN INTERSECTION OR ON APPROACH <input type="checkbox"/> WITHIN INTERCHANGE AREA NUMBER OF APPROACHES 1
DISTANCE FROM REFERENCE 200	DISTANCE UNIT OF MEASURE 1 - MILES 2 - FEET 3 - YARDS 2					ROADWAY <input type="checkbox"/> ROADWAY DIVIDED

LOCATION OF FIRST HARMFUL EVENT 1 - ON ROADWAY 2 - ON SHOULDER 3 - IN MEDIAN 4 - ON ROADSIDE 5 - ON GORE 6 - OUTSIDE TRAFFIC WAY 7 - ON RAMP 8 - OFF RAMP 01	9 - CROSSOVER 10 - DRIVEWAY/ALLEY ACCESS 11 - RAILWAY GRADE CROSSING 12 - SHARED USE PATHS OR TRAILS 13 - BIKE LANE 14 - TOLL BOOTH 99 - OTHER / UNKNOWN	MANNER OF CRASH COLLISION/IMPACT 1 - NOT COLLISION BETWEEN TWO MOTOR VEHICLES IN TRANSPORT 2 - REAR-END 3 - HEAD-ON 4 - REAR-TO-REAR 5 - BACKING 6 - ANGLE 7 - SIDESWIPE, SAME DIRECTION 8 - SIDESWIPE, OPPOSITE DIRECTION 9 - OTHER / UNKNOWN 6	DIRECTION OF TRAVEL N - NORTH S - SOUTH E - EAST W - WEST 1	MEDIAN TYPE 1 - DIVIDED FLUSH MEDIAN (<4 FEET) 2 - DIVIDED FLUSH MEDIAN (>4 FEET) 3 - DIVIDED, DEPRESSED MEDIAN (ANY TYPE) 4 - DIVIDED, RAISED MEDIAN (ANY TYPE) 9 - OTHER/UNKNOWN
--	--	---	---	---

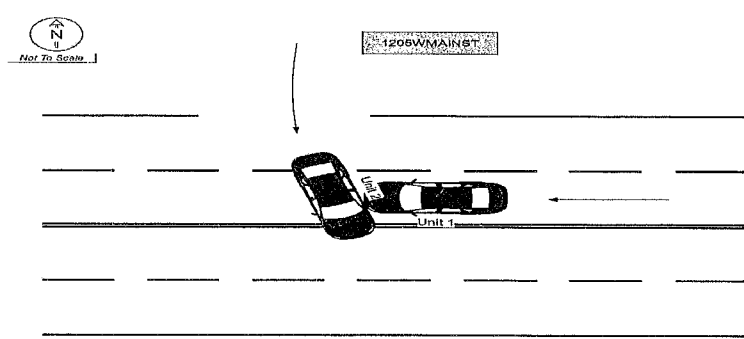
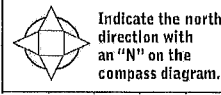
<input type="checkbox"/> WORK ZONE RELATED <input type="checkbox"/> WORKERS PRESENT <input type="checkbox"/> LAW ENFORCEMENT PRESENT <input type="checkbox"/> ACTIVE SCHOOL ZONE	WORK ZONE TYPE 1 - LANE CLOSURE 2 - LANE SHIFT/CROSSOVER 3 - WORK ON SHOULDER OR MEDIAN 4 - INTERMITTENT OR MOVING WORK 5 - OTHER	LOCATION OF CRASH IN WORK ZONE 1 - BEFORE THE 1ST WORK ZONE WARNING SIGN 2 - ADVANCE WARNING AREA 3 - TRANSITION AREA 4 - ACTIVITY AREA 5 - TERMINATION AREA	CONTOUR 1	CONDITIONS 1	SURFACE 1
---	--	---	---------------------	------------------------	---------------------

LIGHT CONDITION 1 - DAYLIGHT 2 - DAWN/DUSK 3 - DARK - LIGHTED ROADWAY 4 - DARK - ROADWAY NOT LIGHTED 5 - DARK - UNKNOWN ROADWAY LIGHTING 9 - OTHER / UNKNOWN 1	WEATHER 1 - CLEAR 2 - CLOUDY 3 - FOG, SMOG, SMOKE 4 - RAIN 5 - SLEET, HAIL 6 - SNOW 7 - SEVERE CROSSWINDS 8 - BLOWING SAND, SOIL, DIRT, SNOW 9 - FREEZING RAIN OR FREEZING DRIZZLE 99 - OTHER / UNKNOWN 01	CONTOUR 1 - STRAIGHT LEVEL 2 - STRAIGHT GRADE 3 - CURVE LEVEL 4 - CURVE GRADE 9 - OTHER/UNKNOWN	CONDITIONS 1 - DRY 2 - WET 3 - SNOW 4 - ICE 5 - SAND, MUD, DIRT, OIL, GRAVEL 6 - WATER (STANDING, MOVING) 7 - SLUSH 9 - OTHER/UNKNOWN	SURFACE 1 - CONCRETE 2 - BLACKTOP, BITUMINOUS, ASPHALT 3 - BRICK/BLOCK 4 - SLAG, GRAVEL, STONE 5 - DIRT 9 - OTHER/UNKNOWN
--	--	--	---	---

NARRATIVE

UNIT #1 WAS WB ON W MAIN ST. IT WAS TRAVELING IN THE LEFT LANE. UNIT #2 WAS IN A PARKING LOT NEAR 1205 W MAIN ST. UNIT #2 PULLED INTO THE ROADWAY WITHOUT YIELDING TO ONCOMING TRAFFIC. UNIT #1 STRUCK UNIT #2.

OFC D OLDHAM #218

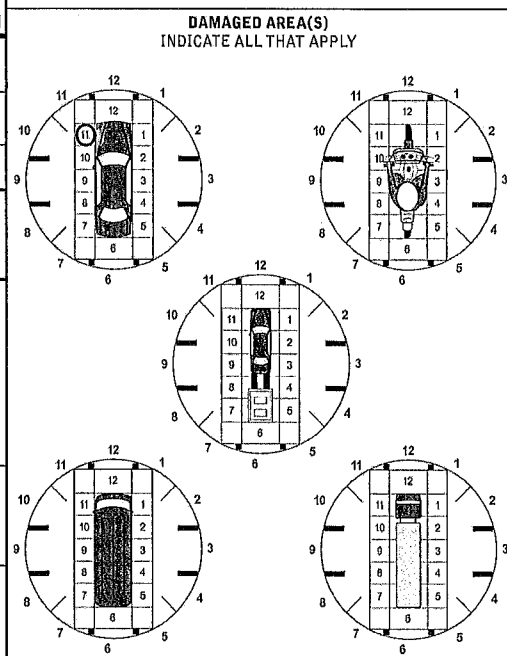


CRASH REPORTED DATE / TIME	DISPATCH DATE / TIME	ARRIVE			
TOTAL TIME ROADWAY CLOSED	OTHER INVESTIGATION TIME	TOTAL MINUTES	OFFICER'S NAME*	CHECKED BY OFFICER'S NAME*	<input type="checkbox"/> POLICE REPORT <input type="checkbox"/> MOTORIST <input type="checkbox"/> SUPPLEMENT (CORRECTION OR ADDITION TO AN EXISTING REPORT SENT TO OOPS)
			OFFICER'S BADGE NUMBER*	CHECKED BY OFFICER'S BADGE NUMBER*	

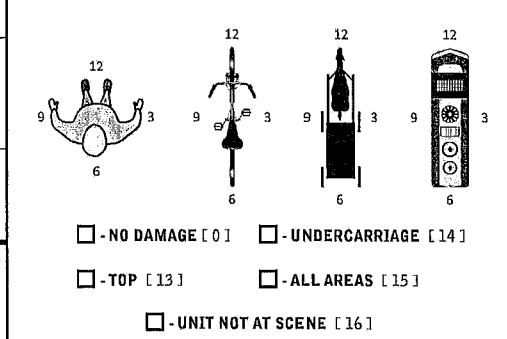
OWNER
 UNIT # 01 OWNER NAME: LAST, FIRST, MIDDLE (☐ SAME AS DRIVER)
EDWARDS, COURTNEY, D
 OWNER PHONE: INCLUDE AREA CODE (☐ SAME AS DRIVER)
 Redacted per ORC 149.43 (A)(1)(mm)
 OWNER ADDRESS: STREET, CITY, STATE, ZIP (☐ SAME AS DRIVER)
6378 MARCHINN DR, RAVENNA, OH 44266
 COMMERCIAL CARRIER: NAME, ADDRESS, CITY, STATE, ZIP
 COMMERCIAL CARRIER PHONE: INCLUDE AREA CODE

DAMAGE
 DAMAGE SCALE
3 1 - NONE 3 - FUNCTIONAL DAMAGE
 2 - MINOR DAMAGE 4 - DISABLING DAMAGE
 9 - UNKNOWN

VEHICLE
 LP STATE OH LICENSE PLATE # JDX4041 VEHICLE IDENTIFICATION # 2C4RC1BG6HR560721 VEHICLE YEAR 2017 VEHICLE MAKE Chrysler
 INSURANCE VERIFIED INSURANCE COMPANY Erie INSURANCE POLICY # Q055508411 COLOR GRY VEHICLE MODEL PACIFICA
 COMMERCIAL TYPE OF USE GOVERNMENT IN EMERGENCY RESPONSE US DOT # _____ TOWED BY: COMPANY NAME _____
 INTERLOCK DEVICE EQUIPPED HIT/SKIP UNIT #OCCUPANTS 02 VEHICLE WEIGHT GVWR/GCWR 1 - <10K LBS. 2 - 10,001 - 26K LBS. 3 - >26K LBS. HAZARDOUS MATERIAL MATERIAL RELEASED CLASS # _____ PLACARD ID # _____



UNIT TYPE 02
 1 - PASSENGER CAR 7 - MOTORCYCLE 2-WHEELED 12 - GOLF CART 18 - LIMO (LIVERY VEHICLE) 23 - PEDESTRIAN / SKATER
 2 - PASSENGER VAN (MINIVAN) 8 - MOTORCYCLE 3-WHEELED 13 - SNOWMOBILE 19 - BUS (16+ PASSENGERS) 24 - WHEELCHAIR (ANY TYPE)
 3 - SPORT UTILITY VEHICLE 9 - AUTOCYCLE 14 - SINGLE UNIT TRUCK 20 - OTHER VEHICLE 25 - OTHER NON-MOTORIST
 4 - PICK UP 10 - MOPED OR MOTORIZED BICYCLE 15 - SEMI-TRACTOR 21 - HEAVY EQUIPMENT 26 - BICYCLE
 5 - CARGO VAN 11 - ALL TERRAIN VEHICLE (ATV/UTV) 16 - FARM EQUIPMENT 22 - ANIMAL WITH RIDER OR ANIMAL-DRAWN VEHICLE 27 - TRAIN
 6 - VAN (9-15 SEATS) 17 - MOTORHOME 99 - UNKNOWN OR HITS/SKIP
 # OF TRAILING UNITS 0
 WAS VEHICLE OPERATING IN AUTONOMOUS MODE WHEN CRASH OCCURRED? 0 AUTONOMOUS MODE LEVEL
 1 - YES 2 - NO 9 - OTHER / UNKNOWN 0 - NO AUTOMATION 1 - DRIVER ASSISTANCE 2 - PARTIAL AUTOMATION 3 - CONDITIONAL AUTOMATION 4 - HIGH AUTOMATION 5 - FULL AUTOMATION 9 - UNKNOWN



SPECIAL FUNCTION 01
 1 - NONE 6 - BUS - CHARTER/TOUR 11 - FIRE 16 - FARM 21 - MAIL CARRIER
 2 - TAXI 7 - BUS - INTERCITY 12 - MILITARY 17 - MOWING 99 - OTHER / UNKNOWN
 3 - ELECTRONIC RIDE SHARING 8 - BUS - SHUTTLE 13 - POLICE 18 - SNOW REMOVAL
 4 - SCHOOL TRANSPORT 9 - BUS - OTHER 14 - PUBLIC UTILITY 19 - TOWING
 5 - BUS - TRANSIT/COMMUTER 10 - AMBULANCE 15 - CONSTRUCTION EQUIPMENT 20 - SAFETY SERVICE PATROL
 CARGO BODY TYPE 01
 1 - NO CARGO BODY TYPE / NOT APPLICABLE 3 - VEHICLE TOWING ANOTHER MOTOR VEHICLE 5 - INTERMODAL CONTAINER CHASSIS 8 - POLE 12 - CONCRETE MIXER
 2 - BUS 4 - LOGGING 6 - CARGO VAN/ENCLOSED BOX 9 - CARGO TANK 13 - AUTO TRANSPORTER
 7 - GRAIN/CHIPS/GRAVEL 10 - FLAT BED 14 - GARBAGE/REFUSE 99 - OTHER / UNKNOWN
 VEHICLE DEFECTS
 1 - TURN SIGNALS 4 - BRAKES 7 - WORN OR SLICK TIRES 9 - MOTOR TROUBLE 99 - OTHER / UNKNOWN
 2 - HEAD LAMPS 5 - STEERING 8 - TRAILER EQUIPMENT DEFECTIVE 10 - DISABLED FROM PRIOR ACCIDENT
 3 - TAIL LAMPS 6 - TIRE BLOWOUT

NON-MOTORIST LOCATION AT IMPACT
 1 - INTERSECTION - MARKED CROSSWALK 3 - INTERSECTION - OTHER 6 - BICYCLE LANE 9 - MEDIAN/CROSSING ISLAND 12 - FIRST RESPONDER AT INCIDENT SCENE
 2 - INTERSECTION - UNMARKED CROSSWALK 4 - MIDDLEBLOCK - MARKED CROSSWALK 7 - SHOULDER / ROADSIDE 10 - DRIVEWAY ACCESS 99 - OTHER / UNKNOWN
 5 - TRAVEL LANE - OTHER LOCATION 8 - SIDEWALK 11 - SHARED USE PATHS OR TRAILS
 ACTION 3 PRE-CRASH ACTIONS 01
 1 - NON-CONTACT 1 - STRAIGHT AHEAD 7 - MAKING U-TURN 13 - NEGOTIATING A CURVE 18 - APPROACHING OR LEAVING VEHICLE
 2 - NON-COLLISION 2 - BACKING 8 - ENTERING TRAFFIC LANE 14 - ENTERING OR CROSSING SPECIFIED LOCATION 19 - STANDING
 3 - STRIKING 3 - CHANGING LANES 9 - LEAVING TRAFFIC LANE 15 - WALKING, RUNNING, JOGGING, PLAYING 20 - OTHER NON-MOTORIST
 4 - STRUCK 4 - OVERTAKING/PASSING 10 - PARKED 16 - WORKING 21 - STANDING OUTSIDE DISABLED VEHICLE
 5 - BOTH STRIKING & STRUCK 5 - MAKING RIGHT TURN 11 - SLOWING OR STOPPED IN TRAFFIC 17 - PUSHING VEHICLE 99 - OTHER / UNKNOWN
 6 - MAKING LEFT TURN 12 - DRIVERLESS 99 - OTHER / UNKNOWN
 9 - OTHER / UNKNOWN

INITIAL POINT OF CONTACT
 0 - NO DAMAGE 14 - UNDERCARRIAGE
11 1-12 - REFER TO UNIT DIAGRAM 15 - VEHICLE NOT AT SCENE
 13 - TOP 99 - UNKNOWN

CONTRIBUTING CIRCUMSTANCES 01
 1 - NONE 7 - LEFT OF CENTER 13 - IMPROPER START FROM A PARKED POSITION 17 - VISION OBSTRUCTION 21 - LYING IN ROADWAY
 2 - FAILURE TO YIELD 8 - FOLLOWING TOO CLOSE / ACDA 14 - STOPPED OR PARKED ILLEGALLY 18 - OPERATING DEFECTIVE EQUIPMENT 22 - NOT DISCERNIBLE
 3 - RAN RED LIGHT 9 - IMPROPER LANE CHANGE 15 - SWERVING TO AVOID 19 - LOAD SHIFTING/FALLING/ SPILLING 23 - OPENING DOOR INTO ROADWAY
 4 - RAN STOP SIGN 10 - IMPROPER PASSING 16 - WRONG WAY 20 - IMPROPER CROSSING 99 - OTHER IMPROPER ACTION
 5 - UNSAFE SPEED 11 - DROVE OFF ROAD 21 - IMPROPER CROSSING
 6 - IMPROPER TURN 12 - IMPROPER BACKING

TRAFFIC
 TRAFFICWAY FLOW
 1 - ONE-WAY 2 2 - TWO-WAY
 TRAFFIC CONTROL
 1 - ROUNDABOUT 4 - STOP SIGN
6 2 - SIGNAL 5 - YIELD SIGN
 3 - FLASHER 6 - NO CONTROL

SEQUENCE OF EVENTS
 1 20 1 - OVERTURN/ROLLOVER 6 - EQUIPMENT FAILURE 11 - CROSS CENTERLINE - OPPOSITE DIRECTION OF TRAVEL 16 - RAILWAY VEHICLE 22 - WORK ZONE MAINTENANCE EQUIPMENT
 2 - FIRE/EXPLOSION 7 - SEPARATION OF UNITS 12 - DOWNHILL RUNAWAY 17 - ANIMAL - FARM 23 - STRUCK BY FALLING, SHIFTING CARGO OR ANYTHING SET IN MOTION BY A MOTOR VEHICLE
 3 - IMMERSION 8 - RAN OFF ROAD RIGHT 13 - OTHER NON-COLLISION 18 - ANIMAL - DEER 24 - OTHER MOVABLE OBJECT
 4 - JACKKNIFE 9 - RAN OFF ROAD LEFT 14 - PEDESTRIAN 19 - ANIMAL - OTHER 20 - MOTOR VEHICLE IN TRANSPORT
 5 - CARGO / EQUIPMENT LOSS OR SHIFT 10 - CROSS MEDIAN 15 - PEDALCYCLE 21 - PARKED MOTOR VEHICLE
 3 - _____
COLLISION WITH FIXED OBJECT - STRUCK
 4 - _____ 25 - IMPACT ATTENUATOR / CRASH CUSHION 31 - GUARDRAIL END 37 - TRAFFIC SIGN POST 43 - CURB 50 - WORK ZONE MAINTENANCE EQUIPMENT
 26 - BRIDGE OVERHEAD STRUCTURE 32 - PORTABLE BARRIER 38 - OVERHEAD SIGN POST 44 - DITCH 51 - WALL
 5 - _____ 27 - BRIDGE PIER OR ABUTMENT 33 - MEDIAN CABLE BARRIER 39 - LIGHT / LUMINARIES SUPPORT 45 - EMBANKMENT 52 - BUILDING
 28 - BRIDGE PARAPET 34 - MEDIAN GUARDRAIL BARRIER 40 - UTILITY POLE 46 - FENCE 53 - TUNNEL
 6 - _____ 29 - BRIDGE RAIL 35 - MEDIAN CONCRETE BARRIER 41 - OTHER POST, POLE OR SUPPORT 47 - MAILBOX 54 - OTHER FIXED OBJECT
 30 - GUARDRAIL FACE 36 - MEDIAN OTHER BARRIER 42 - CULVERT 48 - TREE 99 - OTHER / UNKNOWN
 49 - FIRE HYDRANT

OF THROUGH LANES ON ROAD 2
 RAIL GRADE CROSSING
1 1 - NOT INVOLVED
 2 - INVOLVED-ACTIVE CROSSING
 3 - INVOLVED-PASSIVE CROSSING

UNIT / NON-MOTORIST DIRECTION
 FROM 3 TO 4
 1 - NORTH 5 - NORTHEAST
 2 - SOUTH 6 - NORTHWEST
 3 - EAST 7 - SOUTHEAST
 4 - WEST 8 - SOUTHWEST
 9 - OTHER / UNKNOWN

UNIT SPEED _____ DETECTED SPEED
 1 - STATED / ESTIMATED SPEED
 POSTED SPEED _____ 2 - CALCULATED / EDR
 3 - UNDETERMINED

OWNER

UNIT # 02 OWNER NAME: LAST, FIRST, MIDDLE (SAME AS DRIVER) **SHEPHERD, DEBORAH, S**
 OWNER ADDRESS: STREET, CITY, STATE, ZIP (SAME AS DRIVER) **436 FRANCIS ST, Kent, OH 44240**
 COMMERCIAL CARRIER: NAME, ADDRESS, CITY, STATE, ZIP _____
 OWNER PHONE: INCLUDE AREA CODE (SAME AS DRIVER) **Redacted per ORC 149.43 (A)(1)(m)**
 COMMERCIAL CARRIER PHONE: INCLUDE AREA CODE _____

DAMAGE

DAMAGE SCALE
3 1 - NONE 3 - FUNCTIONAL DAMAGE
 2 - MINOR DAMAGE 4 - DISABLING DAMAGE
 9 - UNKNOWN

VEHICLE

LP STATE OH LICENSE PLATE # P992434 VEHICLE IDENTIFICATION # JF2S H63619H777422 VEHICLE YEAR 2009 VEHICLE MAKE Subaru
 INSURANCE VERIFIED INSURANCE COMPANY USAA INSURANCE POLICY # 044077480G COLOR BLK VEHICLE MODEL FORESTER
 COMMERCIAL GOVERNMENT IN EMERGENCY RESPONSE US DOT # _____ TOWED BY: COMPANY NAME _____
 INTERLOCK DEVICE EQUIPPED HIT/SKIP UNIT #OCCUPANTS 02 VEHICLE WEIGHT GVWR/GCWR 1 - <10K LBS. 2 - 10,001 - 26K LBS. 3 - >26K LBS. HAZARDOUS MATERIAL CLASS # PLACARD ID # _____

DAMAGED AREA(S)
INDICATE ALL THAT APPLY

UNIT TYPE 03 # OF TRAILING UNITS 0

1 - PASSENGER CAR 7 - MOTORCYCLE 2-WHEELED 12 - GOLF CART 18 - LIMO (LIVERY VEHICLE) 23 - PEDESTRIAN / SKATER
 2 - PASSENGER VAN (MINIVAN) 8 - MOTORCYCLE 3-WHEELED 13 - SNOWMOBILE 19 - BUS (16+ PASSENGERS) 24 - WHEELCHAIR (ANY TYPE)
 3 - SPORT UTILITY VEHICLE 9 - AUTOCYCLE 14 - SINGLE UNIT TRUCK 20 - OTHER VEHICLE 25 - OTHER NON-MOTORIST
 4 - PICK UP 10 - MOPED OR MOTORIZED BICYCLE 15 - SEMI-TRACTOR 21 - HEAVY EQUIPMENT 26 - BICYCLE
 5 - CARGO VAN 11 - ALL TERRAIN VEHICLE (ATV / UTV) 16 - FARM EQUIPMENT 22 - ANIMAL WITH RIDER OR ANIMAL-DRAWN VEHICLE 27 - TRAIN
 6 - VAN (9-15 SEATS) 17 - MOTORHOME 99 - UNKNOWN OR HIT/SKIP

WAS VEHICLE OPERATING IN AUTONOMOUS MODE WHEN CRASH OCCURRED? 0 AUTONOMOUS MODE LEVEL

1 - YES 2 - NO 9 - OTHER / UNKNOWN
 0 - NO AUTOMATION 3 - CONDITIONAL AUTOMATION 9 - UNKNOWN
 1 - DRIVER ASSISTANCE 4 - HIGH AUTOMATION
 2 - PARTIAL AUTOMATION 5 - FULL AUTOMATION

SPECIAL FUNCTION 01

1 - NONE 6 - BUS - CHARTER/TOUR 11 - FIRE 16 - FARM 21 - MAIL CARRIER
 2 - TAXI 7 - BUS - INTERCITY 12 - MILITARY 17 - MOWING 99 - OTHER / UNKNOWN
 3 - ELECTRONIC RIDE SHARING 8 - BUS - SHUTTLE 13 - POLICE 18 - SNOW REMOVAL
 4 - SCHOOL TRANSPORT 9 - BUS - OTHER 14 - PUBLIC UTILITY 19 - TOWING
 5 - BUS - TRANSIT/COMMUTER 10 - AMBULANCE 15 - CONSTRUCTION EQUIPMENT 20 - SAFETY SERVICE PATROL

CARGO BODY TYPE 01

1 - NO CARGO BODY TYPE / NOT APPLICABLE 3 - VEHICLE TOWING ANOTHER MOTOR VEHICLE 5 - INTERMODAL CONTAINER CHASSIS 8 - POLE 12 - CONCRETE MIXER
 2 - BUS 4 - LOGGING 6 - CARGO VAN/ENCLOSED BOX 9 - CARGO TANK 13 - AUTO TRANSPORTER
 7 - GRAINCHIPS/GRAVEL 10 - FLAT BED 14 - GARBAGE/REFUSE
 11 - DUMP 99 - OTHER / UNKNOWN

- NO DAMAGE [0] - UNDERCARRIAGE [14]
 - TOP [13] - ALL AREAS [15]
 - UNIT NOT AT SCENE [16]

VEHICLE DEFECTS

1 - TURN SIGNALS 4 - BRAKES 7 - WORN OR SLICK TIRES 9 - MOTOR TROUBLE 99 - OTHER / UNKNOWN
 2 - HEAD LAMPS 5 - STEERING 8 - TRAILER EQUIPMENT DEFECTIVE 10 - DISABLED FROM PRIOR ACCIDENT
 3 - TAIL LAMPS 6 - TIRE BLOWOUT

NON-MOTORIST LOCATION AT IMPACT

1 - INTERSECTION - MARKED CROSSWALK 3 - INTERSECTION - OTHER 6 - BICYCLE LANE 9 - MEDIAN/CROSSING ISLAND 12 - FIRST RESPONDER AT INCIDENT SCENE
 2 - INTERSECTION - UNMARKED CROSSWALK 4 - MIDBLOCK - MARKED CROSSWALK 7 - SHOULDER / ROADSIDE 10 - DRIVEWAY ACCESS 14 - GARBAGE/REFUSE
 5 - TRAVEL LANE - OTHER LOCATION 8 - SIDEWALK 11 - SHARED USE PATHS OR TRAILS 99 - OTHER / UNKNOWN

INITIAL POINT OF CONTACT

09 0 - NO DAMAGE 14 - UNDERCARRIAGE
 1-12 - REFER TO UNIT DIAGRAM 15 - VEHICLE NOT AT SCENE
 13 - TOP 99 - UNKNOWN

ACTION 08 PRE-CRASH ACTIONS

1 - NON-CONTACT 2 - STRAIGHT AHEAD 7 - MAKING U-TURN 13 - NEGOTIATING A CURVE 18 - APPROACHING OR LEAVING VEHICLE
 2 - NON-COLLISION 2 - BACKING 8 - ENTERING TRAFFIC LANE 14 - ENTERING OR CROSSING SPECIFIED LOCATION 19 - STANDING
 3 - STRIKING 3 - CHANGING LANES 9 - LEAVING TRAFFIC LANE 15 - WALKING, RUNNING, JOGGING, PLAYING 20 - OTHER NON-MOTORIST
 4 - STRUCK 4 - OVERTAKING/PASSING 10 - PARKED 16 - WORKING 21 - STANDING OUTSIDE DISABLED VEHICLE
 5 - BOTH STRIKING & STRUCK 5 - MAKING RIGHT TURN 11 - SLOWING OR STOPPED IN TRAFFIC 17 - PUSHING VEHICLE 99 - OTHER / UNKNOWN
 9 - OTHER / UNKNOWN 6 - MAKING LEFT TURN 12 - DRIVERLESS

TRAFFIC

TRAFFICWAY FLOW 2 1 - ONE-WAY 2 - TWO-WAY

TRAFFIC CONTROL 6 1 - ROUNDABOUT 4 - STOP SIGN 2 - SIGNAL 5 - YIELD SIGN 3 - FLASHER 6 - NO CONTROL

CONTRIBUTING CIRCUMSTANCES 02

1 - NONE 7 - LEFT OF CENTER 13 - IMPROPER START FROM A PARKED POSITION 17 - VISION OBSTRUCTION 21 - LYING IN ROADWAY
 2 - FAILURE TO YIELD 8 - FOLLOWING TOO CLOSE / ACDA 14 - STOPPED OR PARKED ILLEGALLY 18 - OPERATING DEFECTIVE EQUIPMENT 22 - NOT DISCERNIBLE
 3 - RAN RED LIGHT 9 - IMPROPER LANE CHANGE 15 - SWERVING TO AVOID 19 - LOAD SHIFTING/FALLING/SPILLING 23 - OPENING DOOR INTO ROADWAY
 4 - RAN STOP SIGN 10 - IMPROPER PASSING 16 - WRONG WAY 20 - IMPROPER CROSSING 99 - OTHER IMPROPER ACTION
 5 - UNSAFE SPEED 11 - DROVE OFF ROAD 17 - IMPROPER CROSSING
 6 - IMPROPER TURN 12 - IMPROPER BACKING

OF THROUGH LANES ON ROAD 2

RAIL GRADE CROSSING 1 1 - NOT INVOLVED 2 - INVOLVED-ACTIVE CROSSING 3 - INVOLVED-PASSIVE CROSSING

EVENT(S)

SEQUENCE OF EVENTS

1 20 1 - OVERTURN/ROLLOVER 6 - EQUIPMENT FAILURE 11 - CROSS CENTERLINE - OPPOSITE DIRECTION OF TRAVEL 16 - RAILWAY VEHICLE 22 - WORK ZONE MAINTENANCE EQUIPMENT
 2 - FIRE/EXPLOSION 7 - SEPARATION OF UNITS 12 - DOWNHILL RUNAWAY 17 - ANIMAL - FARM 23 - STRUCK BY FALLING, SHIFTING CARGO OR ANYTHING SET IN MOTION BY A MOTOR VEHICLE
 3 - IMMERSION 8 - RAN OFF ROAD RIGHT 13 - OTHER NON-COLLISION 18 - ANIMAL - DEER 24 - OTHER MOVABLE OBJECT
 4 - JACKKNIFE 9 - RAN OFF ROAD LEFT 14 - PEDESTRIAN 19 - ANIMAL - OTHER 20 - MOTOR VEHICLE IN TRANSPORT
 5 - CARGO / EQUIPMENT LOSS OR SHIFT 10 - CROSS MEDIAN 15 - PEDALCYCLE 21 - PARKED MOTOR VEHICLE

UNIT / NON-MOTORIST DIRECTION

FROM 1 TO 3

1 - NORTH 5 - NORTHEAST
 2 - SOUTH 6 - NORTHWEST
 3 - EAST 7 - SOUTHEAST
 4 - WEST 8 - SOUTHWEST
 9 - OTHER / UNKNOWN

COLLISION WITH FIXED OBJECT - STRUCK

25 - IMPACT ATTENUATOR / CRASH CUSHION 31 - GUARDRAIL END 37 - TRAFFIC SIGN POST 43 - CURB 50 - WORK ZONE MAINTENANCE EQUIPMENT
 26 - BRIDGE OVERHEAD STRUCTURE 32 - PORTABLE BARRIER 38 - OVERHEAD SIGN POST 44 - DITCH 51 - WALL
 27 - BRIDGE PIER OR ABUTMENT 33 - MEDIAN CABLE BARRIER 39 - LIGHT / LUMINARIES SUPPORT 45 - EMBANKMENT 52 - BUILDING
 28 - BRIDGE PARAPET 34 - MEDIAN GUARDRAIL BARRIER 40 - UTILITY POLE 46 - FENCE 53 - TUNNEL
 29 - BRIDGE RAIL 35 - MEDIAN CONCRETE BARRIER 41 - OTHER POST, POLE OR SUPPORT 47 - MAIL BOX 54 - OTHER FIXED OBJECT
 30 - GUARDRAIL FACE 36 - MEDIAN OTHER BARRIER 42 - CULVERT 48 - TREE 99 - OTHER / UNKNOWN
 49 - FIRE HYDRANT

UNIT SPEED _____

POSTED SPEED _____

DETECTED SPEED
 1 - STATED / ESTIMATED SPEED
 2 - CALCULATED / EDR
 3 - UNDETERMINED



MOTORIST / Non-MOTORIST

LOCAL REPORT NUMBER
2 0 2 3 - 0 0 0 0 8 2 7 8

UNIT # 0 1	NAME: LAST, FIRST, MIDDLE EDWARDS, COURTNEY, D				DATE OF BIRTH 0 6 0 9 1 9 8 3		AGE	GENDER	
ADDRESS: STREET, CITY, STATE, ZIP 6378 MARCHINN DR, RAVENNA, OH 44266					CONTACT PHONE - INCLUDE AREA CODE Redacted per ORC 149.43				
INJURIES 5	INJURED TAKEN BY	EMS AGENCY (NAME)	INJURED TAKEN TO: MEDICAL FACILITY (NAME, CITY)	SAFETY EQUIPMENT USED 0 4	<input type="checkbox"/> DOT-COMPLIANT MC HELMET	SEATING POSITION 0 1	AIR BAG USAGE 1	EJECTION	TRAPPED
OL STATE O H	OPERATOR LICENSE NUMBER Redacted per ORC 4501:1-12		OFFENSE CHARGED	LOCAL CODE	OFFENSE DESCRIPTION			CITATION NUMBER	
OL CLASS 4	ENDORSEMENT SELECT UP TO 2	RESTRICTION SELECT UP TO 3	DRIVER DISTRACTED BY 1	ALCOHOL / DRUG SUSPECTED <input type="checkbox"/> ALCOHOL <input type="checkbox"/> MARIJUANA <input type="checkbox"/> OTHER DRUG		CONDITION 1	ALCOHOL TEST STATUS: 1 TYPE: 1 VALUE: .		DRUG TEST(S) STATUS: 1 TYPE: 1 RESULT: SELECT UP TO 4

UNIT # 0 2	NAME: LAST, FIRST, MIDDLE SHEPHERD, LARRY, A				DATE OF BIRTH 1 2 1 8 1 9 4 8		AGE	GENDER	
ADDRESS: STREET, CITY, STATE, ZIP 496 S FRANCIS ST, Kent, OH 44240					CONTACT PHONE - INCLUDE AREA CODE Redacted per ORC 149.43				
INJURIES 5	INJURED TAKEN BY	EMS AGENCY (NAME)	INJURED TAKEN TO: MEDICAL FACILITY (NAME, CITY)	SAFETY EQUIPMENT USED 0 4	<input type="checkbox"/> DOT-COMPLIANT MC HELMET	SEATING POSITION 0 1	AIR BAG USAGE 1	EJECTION	TRAPPED
OL STATE O H	OPERATOR LICENSE NUMBER Redacted per ORC 4501:1-12		OFFENSE CHARGED 4511.44	LOCAL CODE	OFFENSE DESCRIPTION Right of Way on Publ			CITATION NUMBER 21347	
OL CLASS 4	ENDORSEMENT SELECT UP TO 2	RESTRICTION SELECT UP TO 3	DRIVER DISTRACTED BY 1	ALCOHOL / DRUG SUSPECTED <input type="checkbox"/> ALCOHOL <input type="checkbox"/> MARIJUANA <input type="checkbox"/> OTHER DRUG		CONDITION 1	ALCOHOL TEST STATUS: 1 TYPE: 1 VALUE: .		DRUG TEST(S) STATUS: 1 TYPE: 1 RESULT: SELECT UP TO 4

UNIT #	NAME: LAST, FIRST, MIDDLE				DATE OF BIRTH		AGE	GENDER	
ADDRESS: STREET, CITY, STATE, ZIP					CONTACT PHONE - INCLUDE AREA CODE				
INJURIES	INJURED TAKEN BY	EMS AGENCY (NAME)	INJURED TAKEN TO: MEDICAL FACILITY (NAME, CITY)	SAFETY EQUIPMENT USED	<input type="checkbox"/> DOT-COMPLIANT MC HELMET	SEATING POSITION	AIR BAG USAGE	EJECTION	TRAPPED
OL STATE	OPERATOR LICENSE NUMBER		OFFENSE CHARGED	LOCAL CODE	OFFENSE DESCRIPTION			CITATION NUMBER	
OL CLASS	ENDORSEMENT SELECT UP TO 2	RESTRICTION SELECT UP TO 3	DRIVER DISTRACTED BY	ALCOHOL / DRUG SUSPECTED <input type="checkbox"/> ALCOHOL <input type="checkbox"/> MARIJUANA <input type="checkbox"/> OTHER DRUG		CONDITION	ALCOHOL TEST STATUS: TYPE: VALUE:		DRUG TEST(S) STATUS: TYPE: RESULT: SELECT UP TO 4

INJURIES	SEATING POSITION	AIR BAG	OL CLASS	OL RESTRICTION(S)	DRIVER DISTRACTION	TEST STATUS
1 - FATAL 2 - SUSPECTED SERIOUS INJURY 3 - SUSPECTED MINOR INJURY 4 - POSSIBLE INJURY 5 - NO APPARENT INJURY	1 - FRONT - LEFT SIDE (MOTORCYCLE DRIVER) 2 - FRONT - MIDDLE 3 - FRONT - RIGHT SIDE 4 - SECOND - LEFT SIDE (MOTORCYCLE PASSENGER) 5 - SECOND - MIDDLE 6 - SECOND - RIGHT SIDE 7 - THIRD - LEFT SIDE (MOTORCYCLE SIDE CAR) 8 - THIRD - MIDDLE 9 - THIRD - RIGHT SIDE 10 - SLEEPER SECTION OF TRUCK CAB	1 - NOT DEPLOYED 2 - DEPLOYED FRONT 3 - DEPLOYED SIDE 4 - DEPLOYED BOTH FRONT / SIDE 5 - NOT APPLICABLE 9 - DEPLOYMENT UNKNOWN	1 - CLASS A 2 - CLASS B 3 - CLASS C 4 - REGULAR CLASS (OHIO = D) 5 - MC MOPED ONLY 6 - NO VALID OL	1 - ALCOHOL INTERLOCK DEVICE 2 - CDL INTRASTATE ONLY 3 - CORRECTIVE LENSES 4 - FARM WAIVER 5 - EXCEPT CLASS A BUS 6 - EXCEPT CLASS A & CLASS B BUS 7 - EXCEPT TRACTOR-TRAILER 8 - INTERMEDIATE LICENSE RESTRICTIONS 9 - LEARNER'S PERMIT RESTRICTIONS 10 - LIMITED TO DAYLIGHT ONLY 11 - LIMITED TO EMPLOYMENT 12 - LIMITED - OTHER 13 - MECHANICAL DEVICES (SPECIAL BRAKES, HAND CONTROLS, OR OTHER ADAPTIVE DEVICES) 14 - MILITARY VEHICLES ONLY 15 - MOTOR VEHICLES WITHOUT AIR BRAKES 16 - OUTSIDE MIRROR 17 - PROSTHETIC AID 18 - OTHER	1 - NOT DISTRACTED 2 - MANUALLY OPERATING AN ELECTRONIC COMMUNICATION DEVICE (TEXTING, TYPING, DIALING) 3 - TALKING ON HANDS-FREE COMMUNICATION DEVICE 4 - TALKING ON HAND-HELD COMMUNICATION DEVICE 5 - OTHER ACTIVITY WITH AN ELECTRONIC DEVICE 6 - PASSENGER 7 - OTHER DISTRACTION INSIDE THE VEHICLE 8 - OTHER DISTRACTION OUTSIDE THE VEHICLE 9 - OTHER / UNKNOWN	1 - NONE GIVEN 2 - TEST REFUSED 3 - TEST GIVEN, CONTAMINATED SAMPLE / UNUSABLE 4 - TEST GIVEN, RESULTS KNOWN 5 - TEST GIVEN, RESULTS UNKNOWN
INJURED TAKEN BY 1 - NOT TRANSPORTED / TREATED AT SCENE 2 - EMS 3 - POLICE 9 - OTHER / UNKNOWN		EJECTION 1 - NOT EJECTED 2 - PARTIALLY EJECTED 3 - TOTALLY EJECTED 4 - NOT APPLICABLE	OL ENDORSEMENT H - HAZMAT M - MOTORCYCLE P - PASSENGER N - TANKER Q - MOTOR SCOOTER R - THREE-WHEEL MOTORCYCLE S - SCHOOL BUS T - DOUBLE & TRIPLE TRAILERS X - TANKER / HAZMAT		CONDITION 1 - APPARENTLY NORMAL 2 - PHYSICAL IMPAIRMENT 3 - EMOTIONAL (E.G., DEPRESSED, ANGRY, DISTURBED) 4 - ILLNESS 5 - FELL ASLEEP, FAINTED, FATIGUED, ETC. 6 - UNDER THE INFLUENCE OF MEDICATIONS / DRUGS / ALCOHOL 9 - OTHER / UNKNOWN	ALCOHOL TEST TYPE 1 - NONE 2 - BLOOD 3 - URINE 4 - BREATH 5 - OTHER
SAFETY EQUIPMENT 1 - NONE USED 2 - SHOULDER BELT ONLY USED 3 - LAP BELT ONLY USED 4 - SHOULDER & LAP BELT USED 5 - CHILD RESTRAINT SYSTEM - FORWARD FACING 6 - CHILD RESTRAINT SYSTEM - REAR FACING 7 - BOOSTER SEAT 8 - HELMET USED 9 - PROTECTIVE PADS USED (ELBOW, KNEES, ETC.) 10 - REFLECTIVE CLOTHING 11 - LIGHTING - PEDESTRIAN / BICYCLE ONLY 99 - OTHER / UNKNOWN	11 - PASSENGER IN OTHER ENCLOSED CARGO AREA (NON-TRAILING UNIT, BUS, PICK-UP WITH CAP) 12 - PASSENGER IN UNENCLOSED CARGO AREA 13 - TRAILING UNIT 14 - RIDING ON VEHICLE EXTERIOR (NON-TRAILING UNIT) 15 - NON-MOTORIST 99 - OTHER / UNKNOWN	TRAPPED 1 - NOT TRAPPED 2 - EXTRICATED BY MECHANICAL MEANS 3 - FREED BY NON-MECHANICAL MEANS	GENDER F - FEMALE M - MALE U - OTHER / UNKNOWN			DRUG TEST TYPE 1 - NONE 2 - BLOOD 3 - URINE 4 - OTHER
						DRUG TEST RESULT(S) 1 - AMPHETAMINES 2 - BARBITURATES 3 - BENZODIAZEPINES 4 - CANNABINOIDS 5 - COCAINE 6 - OPIATES / OPIOIDS 7 - OTHER 8 - NEGATIVE RESULTS



OCCUPANT / WITNESS ADDENDUM

LOCAL REPORT NUMBER
 2 0 2 3 - 0 0 0 0 8 2 7 8

OCCUPANT	UNIT # 01	NAME: LAST, FIRST, MIDDLE Edwards, Penny	DATE OF BIRTH 03/08/2010	AGE	GENDER
	ADDRESS: STREET, CITY, STATE, ZIP 6378 MARCHINN RD ,Ravenna Twp ,OH 44266		CONTACT PHONE - INCLUDE AREA CODE Redacted per ORC 149.43		
	INJURIES 5	INJURED TAKEN BY	EMS AGENCY (NAME)	INJURED TAKEN TO: MEDICAL FACILITY (NAME, CITY)	SAFETY EQUIPMENT USED 04
					<input type="checkbox"/> DOT-COMPLIANT MC HELMET SEATING POSITION: 03 AIR BAG USAGE: 1 EJECTION TRAPPED

OCCUPANT	UNIT # 02	NAME: LAST, FIRST, MIDDLE SHEPHERD, DEBORAH, S	DATE OF BIRTH 05/08/1952	AGE	GENDER
	ADDRESS: STREET, CITY, STATE, ZIP 436 S FRANCIS ST ,Kent ,OH 44240		CONTACT PHONE - INCLUDE AREA CODE Redacted per ORC 149.43		
	INJURIES 5	INJURED TAKEN BY	EMS AGENCY (NAME)	INJURED TAKEN TO: MEDICAL FACILITY (NAME, CITY)	SAFETY EQUIPMENT USED 02
					<input type="checkbox"/> DOT-COMPLIANT MC HELMET SEATING POSITION: 03 AIR BAG USAGE: 1 EJECTION TRAPPED

OCCUPANT	UNIT #	NAME: LAST, FIRST, MIDDLE	DATE OF BIRTH	AGE	GENDER
	ADDRESS: STREET, CITY, STATE, ZIP		CONTACT PHONE - INCLUDE AREA CODE		
	INJURIES	INJURED TAKEN BY	EMS AGENCY (NAME)	INJURED TAKEN TO: MEDICAL FACILITY (NAME, CITY)	SAFETY EQUIPMENT USED
					<input type="checkbox"/> DOT-COMPLIANT MC HELMET SEATING POSITION AIR BAG USAGE EJECTION TRAPPED

OCCUPANT	UNIT #	NAME: LAST, FIRST, MIDDLE	DATE OF BIRTH	AGE	GENDER
	ADDRESS: STREET, CITY, STATE, ZIP		CONTACT PHONE - INCLUDE AREA CODE		
	INJURIES	INJURED TAKEN BY	EMS AGENCY (NAME)	INJURED TAKEN TO: MEDICAL FACILITY (NAME, CITY)	SAFETY EQUIPMENT USED
					<input type="checkbox"/> DOT-COMPLIANT MC HELMET SEATING POSITION AIR BAG USAGE EJECTION TRAPPED

INJURIES	SAFETY EQUIPMENT USED	SEATING POSITION	AIR BAG USAGE
1 - FATAL	1 - NONE USED - VEHICLE OCCUPANT	1 - FRONT - LEFT SIDE (MOTORCYCLE DRIVER)	1 - NOT DEPLOYED
2 - SUSPECTED SERIOUS INJURY	2 - SHOULDER BELT ONLY USED	2 - FRONT - MIDDLE	2 - DEPLOYED FRONT
3 - SUSPECTED MINOR INJURY	3 - LAP BELT ONLY USED	3 - FRONT - RIGHT SIDE	3 - DEPLOYED SIDE
4 - POSSIBLE INJURY	4 - SHOULDER & LAP BELT USED	4 - SECOND - LEFT SIDE (MOTORCYCLE PASSENGER)	4 - DEPLOYED BOTH FRONT/SIDE
5 - NO APPARENT INJURY	5 - CHILD RESTRAINT SYSTEM - FORWARD FACING	5 - SECOND - MIDDLE	5 - NOT APPLICABLE
	6 - CHILD RESTRAINT SYSTEM - REAR FACING	6 - SECOND - RIGHT SIDE	9 - DEPLOYMENT UNKNOWN
	7 - BOOSTER SEAT	7 - THIRD - LEFT SIDE (MOTORCYCLE SIDE CAR)	
	8 - HELMET USED	8 - THIRD - MIDDLE	EJECTION
	9 - PROTECTIVE PADS USED (ELBOW, KNEES, ETC.)	9 - THIRD - RIGHT SIDE	1 - NOT EJECTED
	10 - REFLECTIVE CLOTHING	10 - SLEEPER SECTION OF TRUCK CAB	2 - PARTIALLY EJECTED
	11 - LIGHTING - PEDESTRIAN / BICYCLE ONLY	11 - PASSENGER IN OTHER ENCLOSED CARGO AREA (NON-TRAILING UNIT, BUS, PICK-UP WITH CAP)	3 - TOTALLY EJECTED
	99 - OTHER / UNKNOWN	12 - PASSENGER IN UNENCLOSED CARGO AREA	4 - NOT APPLICABLE
		13 - TRAILING UNIT	TRAPPED
		14 - RIDING ON VEHICLE EXTERIOR (NON-TRAILING UNIT)	1 - NOT TRAPPED
		15 - NON-MOTORIST	2 - EXTRICATED BY MECHANICAL MEANS
		99 - OTHER / UNKNOWN	3 - FREED BY NON-MECHANICAL MEANS

WITNESS	NAME: LAST, FIRST, MIDDLE	DATE OF BIRTH	AGE	GENDER
	ADDRESS: STREET, CITY, STATE, ZIP	CONTACT PHONE - INCLUDE AREA CODE		

WITNESS	NAME: LAST, FIRST, MIDDLE	DATE OF BIRTH	AGE	GENDER
	ADDRESS: STREET, CITY, STATE, ZIP	CONTACT PHONE - INCLUDE AREA CODE		

WITNESS	NAME: LAST, FIRST, MIDDLE	DATE OF BIRTH	AGE	GENDER
	ADDRESS: STREET, CITY, STATE, ZIP	CONTACT PHONE - INCLUDE AREA CODE		