



TRAFFIC CRASH REPORT

*DENOTES MANDATORY FIELD FOR SUPPLEMENT REPORT

LOCAL REPORT NUMBER*

2 0 2 2 - 0 0 0 1 4 8 1 0

PHOTOS TAKEN
 SECONDARY CRASH
 OH-2
 OH-1P
 PRIVATE PROPERTY
 OH-3
 OTHER

LOCAL INFORMATION
 REPORTING AGENCY NAME*
City of Kent Police
 NCIC*
06703

HIT/SKIP
 1 - SOLVED
 2 - UNSOLVED
 NUMBER OF UNITS
02
 UNIT IN ERROR
 98 - ANIMAL
 99 - UNKNOWN
02

COUNTY* **67** LOCALITY* **1** LOCATION: CITY, VILLAGE, TOWNSHIP*
Kent

CRASH DATE / TIME*
09022022/2349
 CRASH SEVERITY
 1 - FATAL
 2 - SERIOUS INJURY SUSPECTED
 3 - MINOR INJURY SUSPECTED
 4 - INJURY POSSIBLE
 5 - PROPERTY DAMAGE ONLY
5

ROUTE TYPE ROUTE NUMBER PREFIX LOCATION ROAD NAME ROAD TYPE
1 **WATER** **S T**
 REFERENCE ROAD NAME (ROAD, MILEPOST, HOUSE #) ROAD TYPE
FAIRCHILD **A V**

LATITUDE DECIMAL DEGREES
41.158038
 LONGITUDE DECIMAL DEGREES
-81.358091

REFERENCE POINT
 1 - INTERSECTION
 2 - MILE POST
 3 - HOUSE #
1
 DIRECTION FROM REFERENCE
 N - NORTH
 S - SOUTH
 E - EAST
 W - WEST
 ROUTE TYPE
 IR - INTERSTATE ROUTE(TP)
 US - FEDERAL US ROUTE
 SR - STATE ROUTE
 CR - NUMBERED COUNTY ROUTE
 TR - NUMBERED TOWNSHIP ROUTE
 ROAD TYPE
 AL - ALLEY
 AV - AVENUE
 BL - BOULEVARD
 CR - CIRCLE
 CT - COURT
 DR - DRIVE
 HE - HEIGHTS
 HW - HIGHWAY
 LA - LANE
 MP - MILEPOST
 OV - OVAL
 PK - PARKWAY
 PI - PIKE
 PL - PLACE
 RD - ROAD
 SQ - SQUARE
 ST - STREET
 TE - TERRACE
 TL - TRAIL
 WA - WAY

INTERSECTION RELATED
 WITHIN INTERSECTION OR ON APPROACH
 WITHIN INTERCHANGE AREA
 ROADWAY
 ROADWAY DIVIDED
 NUMBER OF APPROACHES
3

LOCATION OF FIRST HARMFUL EVENT
 1 - ON ROADWAY
 2 - ON SHOULDER
 3 - IN MEDIAN
 4 - ON ROADSIDE
 5 - ON GORE
 6 - OUTSIDE TRAFFIC WAY
 7 - ON RAMP
 8 - OFF RAMP
01
 MANNER OF CRASH COLLISION/IMPACT
 1 - NOT COLLISION BETWEEN TWO MOTOR VEHICLES IN TRANSPORT
 2 - REAR-END
 3 - HEAD-ON
 4 - REAR-TO-REAR
 5 - BACKING
 6 - ANGLE
 7 - SIDESWIPE, SAME DIRECTION
 8 - SIDESWIPE, OPPOSITE DIRECTION
 9 - OTHER / UNKNOWN
2

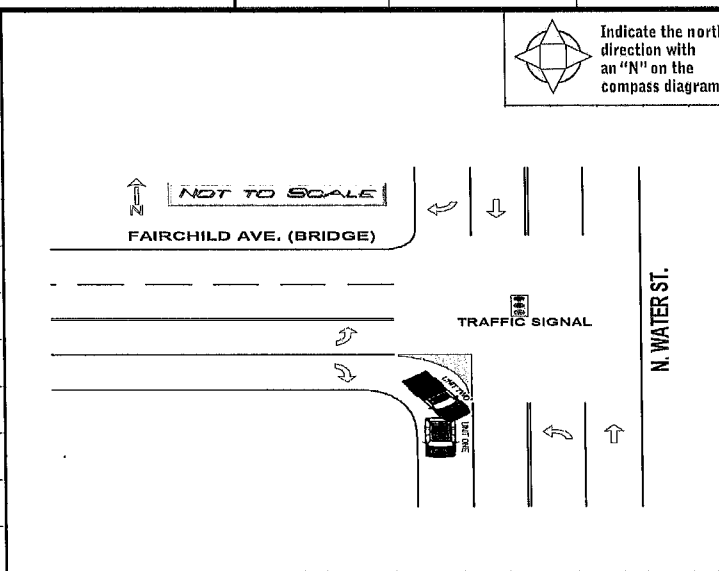
DIRECTION OF TRAVEL
 N - NORTH
 S - SOUTH
 E - EAST
 W - WEST
 MEDIAN TYPE
 1 - DIVIDED FLUSH MEDIAN (<4 FEET)
 2 - DIVIDED FLUSH MEDIAN (≥4 FEET)
 3 - DIVIDED, DEPRESSED MEDIAN
 4 - DIVIDED, RAISED MEDIAN (ANY TYPE)
 9 - OTHER/UNKNOWN

WORK ZONE RELATED
 WORKERS PRESENT
 LAW ENFORCEMENT PRESENT
 ACTIVE SCHOOL ZONE
 WORK ZONE TYPE
 1 - LANE CLOSURE
 2 - LANE SHIFT/CROSSOVER
 3 - WORK ON SHOULDER OR MEDIAN
 4 - INTERMITTENT OR MOVING WORK
 5 - OTHER
 LOCATION OF CRASH IN WORK ZONE
 1 - BEFORE THE 1ST WORK ZONE WARNING SIGN
 2 - ADVANCE WARNING AREA
 3 - TRANSITION AREA
 4 - ACTIVITY AREA
 5 - TERMINATION AREA

CONTOUR
1
 1 - STRAIGHT LEVEL
 2 - STRAIGHT GRADE
 3 - CURVE LEVEL
 4 - CURVE GRADE
 9 - OTHER/UNKNOWN
 CONDITIONS
1
 1 - DRY
 2 - WET
 3 - SNOW
 4 - ICE
 5 - SAND, MUD, DIRT, OIL, GRAVEL
 6 - WATER (STANDING, MOVING)
 7 - SLUSH
 9 - OTHER/UNKNOWN
 SURFACE
2
 1 - CONCRETE
 2 - BLACKTOP, BITUMINOUS, ASPHALT
 3 - BRICK/BLOCK
 4 - SLAG, GRAVEL, STONE
 5 - DIRT
 9 - OTHER/UNKNOWN

LIGHT CONDITION
 1 - DAYLIGHT
 2 - DAWN/DUSK
 3 - DARK - LIGHTED ROADWAY
 4 - DARK - ROADWAY NOT LIGHTED
 5 - DARK - UNKNOWN ROADWAY LIGHTING
 9 - OTHER / UNKNOWN
3
 WEATHER
 1 - CLEAR
 2 - CLOUDY
 3 - FOG, SMOG, SMOKE
 4 - RAIN
 5 - SLEET, HAIL
 6 - SNOW
 7 - SEVERE CROSSWINDS
 8 - BLOWING SAND, SOIL, DIRT, SNOW
 9 - FREEZING RAIN OR FREEZING DRIZZLE
 99 - OTHER / UNKNOWN
01

NARRATIVE
UNIT ONE WAS TRAVELING SOUTHBOUND ON N. WATER ST. FROM FAIRCHILD AVE. UNIT ONE YIELDED TO AN EMERGENCY VEHICLE IN TRANSPORT, TRAVELING NORTHBOUND. UNIT TWO WAS TRAVELING BEHIND UNIT ONE AND FAILED TO STOP WITH AN ASSURED CLEAR DISTANCE, STRIKING UNIT ONE.



CRASH REPORTED DATE / TIME: **09022022/2349**
 DISPATCH DATE / TIME: **09022022/2349**
 ARRIVAL DATE / TIME: **09022022/2352**
 SCENE CLEARED DATE / TIME: **09032022/0024**
 REPORT TAKEN BY
 POLICE AGENCY
 MOTORIST
 SUPPLEMENT (CORRECTION OR ADDITION TO AN EXISTING REPORT SENT TO DOPS)
 TOTAL TIME ROADWAY CLOSED: **008**
 OTHER INVESTIGATION TIME: **020**
 TOTAL MINUTES: **055**
 OFFICER'S NAME*: **McNulty, Samantha S**
 OFFICER'S BADGE NUMBER*: **236**
 CHECKED BY OFFICER'S NAME*: **Nelson, Josh**
 CHECKED BY OFFICER'S BADGE NUMBER*: **232**

OWNER

UNIT # **0 1** OWNER NAME: LAST, FIRST, MIDDLE (SAME AS DRIVER) **COOPER, STEVEN, EDWARD**
 OWNER ADDRESS: STREET, CITY, STATE, ZIP (SAME AS DRIVER)
5069 PEGGY ANN DR, New Franklin, OH 44319
 COMMERCIAL CARRIER: NAME, ADDRESS, CITY, STATE, ZIP _____
 OWNER PHONE: (AREA CODE) _____
 COMMERCIAL CARRIER PHONE: INCLUDE AREA CODE _____

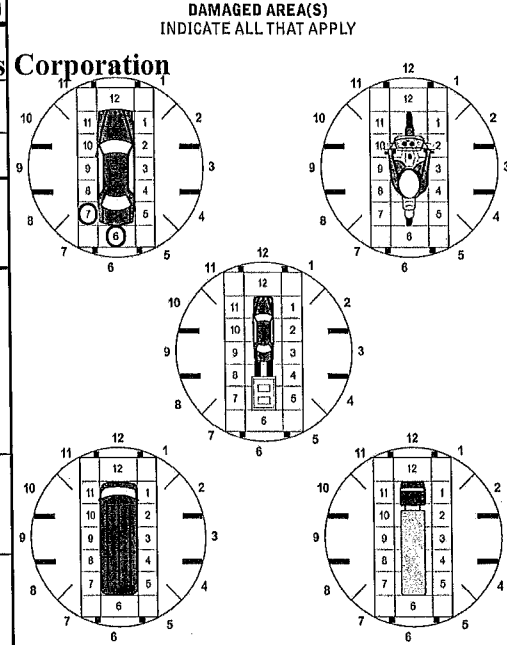
DAMAGE

DAMAGE SCALE

3 1 - NONE 3 - FUNCTIONAL DAMAGE
 2 - MINOR DAMAGE 4 - DISABLING DAMAGE
 9 - UNKNOWN

VEHICLE

LP STATE **OH** LICENSE PLATE # **HWT7537** VEHICLE IDENTIFICATION # **KNDJN2A25F7813450** VEHICLE YEAR **2015** VEHICLE MAKE **Kia Motors Corporation**
 INSURANCE VERIFIED INSURANCE COMPANY **PROGRESSIVE** INSURANCE POLICY # **929587652** COLOR **BLK** VEHICLE MODEL **Soul**
 COMMERCIAL GOVERNMENT IN EMERGENCY RESPONSE TYPE OF USE
 DEVICE EQUIPPED HIT/SKIP UNIT #OCCUPANTS **0 2** US DOT # _____ TOWED BY: COMPANY NAME _____
 HAZARDOUS MATERIAL CLASS # _____ PLACARD ID # _____
 MATERIAL RELEASED PLACARD



UNIT TYPE **0 1** # OF TRAILING UNITS **0 0**

1 - PASSENGER CAR 7 - MOTORCYCLE 2-WHEELED 12 - GOLF CART 18 - LIMO (LIVERY VEHICLE) 23 - PEDESTRIAN / SKATER
 2 - PASSENGER VAN (MINIVAN) 8 - MOTORCYCLE 3-WHEELED 13 - SNOWMOBILE 19 - BUS (16+ PASSENGERS) 24 - WHEELCHAIR (ANY TYPE)
 3 - SPORT UTILITY VEHICLE 9 - AUTOCYCLE 14 - SINGLE UNIT TRUCK 20 - OTHER VEHICLE 25 - OTHER NON-MOTORIST
 4 - PICK UP 10 - MOPED OR MOTORIZED BICYCLE 15 - SEMI-TRACTOR 21 - HEAVY EQUIPMENT 26 - BICYCLE
 5 - CARGO VAN 11 - ALL TERRAIN VEHICLE (ATV / UTV) 16 - FARM EQUIPMENT 22 - ANIMAL WITH RIDER OR ANIMAL-DRAWN VEHICLE 27 - TRAIN
 6 - VAN (9-15 SEATS) 17 - MOTORHOME 99 - UNKNOWN OR HITS/SKIP

WAS VEHICLE OPERATING IN AUTONOMOUS MODE WHEN CRASH OCCURRED? **2** 1 - YES 2 - NO 9 - OTHER / UNKNOWN

AUTONOMOUS MODE LEVEL **0** 0 - NO AUTOMATION 3 - CONDITIONAL AUTOMATION 9 - UNKNOWN
 1 - DRIVER ASSISTANCE 4 - HIGH AUTOMATION
 2 - PARTIAL AUTOMATION 5 - FULL AUTOMATION

SPECIAL FUNCTION **0 1**

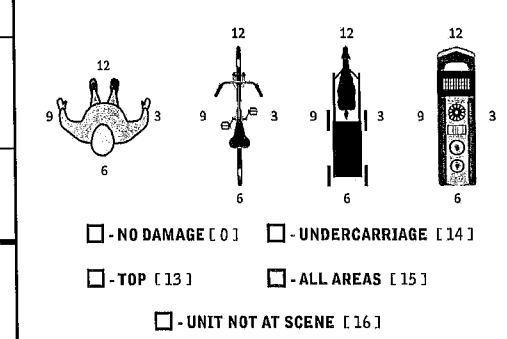
1 - NONE 6 - BUS - CHARTER/TOUR 11 - FIRE 16 - FARM 21 - MAIL CARRIER
 2 - TAXI 7 - BUS - INTERCITY 12 - MILITARY 17 - MOWING 99 - OTHER / UNKNOWN
 3 - ELECTRONIC RIDE SHARING 8 - BUS - SHUTTLE 13 - POLICE 18 - SNOW REMOVAL
 4 - SCHOOL TRANSPORT 9 - BUS - OTHER 14 - PUBLIC UTILITY 19 - TOWING
 5 - BUS - TRANSIT/COMMUTER 10 - AMBULANCE 15 - CONSTRUCTION EQUIPMENT 20 - SAFETY SERVICE PATROL

CARGO BODY TYPE **0 1**

1 - NO CARGO BODY TYPE / NOT APPLICABLE 3 - VEHICLE TOWING ANOTHER MOTOR VEHICLE 5 - INTERMODAL CONTAINER CHASSIS 8 - POLE 12 - CONCRETE MIXER
 2 - BUS 4 - LOGGING 6 - CARGO VAN/ENCLOSED BOX 9 - CARGO TANK 13 - AUTO TRANSPORTER
 7 - GRAIN/CHIPS/GRAVEL 10 - FLAT BED 11 - DUMP 14 - GARBAGE/REFUSE 99 - OTHER / UNKNOWN

VEHICLE DEFECTS

1 - TURN SIGNALS 4 - BRAKES 7 - WORN OR SLICK TIRES 9 - MOTOR TROUBLE 99 - OTHER / UNKNOWN
 2 - HEAD LAMPS 5 - STEERING 8 - TRAILER EQUIPMENT DEFECTIVE 10 - DISABLED FROM PRIOR ACCIDENT
 3 - TAIL LAMPS 6 - TIRE BLOWOUT



NON-MOTORIST LOCATION AT IMPACT

1 - INTERSECTION - MARKED CROSSWALK 3 - INTERSECTION - OTHER 6 - BICYCLE LANE 9 - MEDIAN/CROSSING ISLAND 12 - FIRST RESPONDER AT INCIDENT SCENE
 2 - INTERSECTION - UNMARKED CROSSWALK 4 - MIDBLOCK - MARKED CROSSWALK 7 - SHOULDER / ROADSIDE 10 - DRIVEWAY ACCESS 15 - OTHER / UNKNOWN
 5 - TRAVEL LANE - OTHER LOCATION 8 - SIDEWALK 11 - SHARED USE PATHS OR TRAILS 99 - OTHER / UNKNOWN

ACTION **4** **PRE-CRASH ACTIONS** **1 1**

1 - NON-CONTACT 1 - STRAIGHT AHEAD 7 - MAKING U-TURN 13 - NEGOTIATING A CURVE 18 - APPROACHING OR LEAVING VEHICLE
 2 - NON-COLLISION 2 - BACKING 8 - ENTERING TRAFFIC LANE 14 - ENTERING OR CROSSING SPECIFIED LOCATION 19 - STANDING
 3 - STRIKING 3 - CHANGING LANES 9 - LEAVING TRAFFIC LANE 15 - WALKING, RUNNING, JOGGING, PLAYING 20 - OTHER NON-MOTORIST
 4 - STRUCK 4 - OVERTAKING/PASSING 10 - PARKED 16 - WORKING 21 - STANDING OUTSIDE DISABLED VEHICLE
 5 - BOTH STRIKING & STRUCK 5 - MAKING RIGHT TURN 11 - SLOWING OR STOPPED IN TRAFFIC 17 - PUSHING VEHICLE 99 - OTHER / UNKNOWN
 9 - OTHER / UNKNOWN 6 - MAKING LEFT TURN 12 - DRIVERLESS 99 - OTHER / UNKNOWN

CONTRIBUTING CIRCUMSTANCES **0 1**

1 - NONE 7 - LEFT OF CENTER 13 - IMPROPER START FROM A PARKED POSITION 17 - VISION OBSTRUCTION 21 - LYING IN ROADWAY
 2 - FAILURE TO YIELD 8 - FOLLOWING TOO CLOSE / ACDA 14 - STOPPED OR PARKED ILLEGALLY 18 - OPERATING DEFECTIVE EQUIPMENT 22 - NOT DISCERNIBLE
 3 - RAN RED LIGHT 9 - IMPROPER LANE CHANGE 15 - SWERVING TO AVOID 19 - LOAD SHIFTING/FALLING/SPILLING 23 - OPENING DOOR INTO ROADWAY
 4 - RAN STOP SIGN 10 - IMPROPER PASSING 16 - WRONG WAY 20 - IMPROPER CROSSING 99 - OTHER IMPROPER ACTION
 5 - UNSAFE SPEED 11 - DROVE OFF ROAD 12 - IMPROPER BACKING

TRAFFIC

TRAFFICWAY FLOW **2** 1 - ONE-WAY 2 - TWO-WAY

TRAFFIC CONTROL **2** 1 - ROUNDABOUT 4 - STOP SIGN 2 - SIGNAL 5 - YIELD SIGN 3 - FLASHER 6 - NO CONTROL

SEQUENCE OF EVENTS

1 **2 0** 1 - OVERTURN/ROLLOVER 6 - EQUIPMENT FAILURE 11 - CROSS CENTERLINE - OPPOSITE DIRECTION OF TRAVEL 16 - RAILWAY VEHICLE 22 - WORK ZONE MAINTENANCE EQUIPMENT
 2 - FIRE/EXPLOSION 7 - SEPARATION OF UNITS 12 - DOWNHILL RUNAWAY 17 - ANIMAL - FARM 23 - STRUCK BY FALLING, SHIFTING CARGO OR ANYTHING SET IN MOTION BY A MOTOR VEHICLE
 3 - IMMERSION 8 - RAN OFF ROAD RIGHT 13 - OTHER NON-COLLISION 18 - ANIMAL - DEER 24 - OTHER MOVABLE OBJECT
 4 - JACKKNIFE 9 - RAN OFF ROAD LEFT 14 - PEDESTRIAN 19 - ANIMAL - OTHER 20 - MOTOR VEHICLE IN TRANSPORT
 5 - CARGO / EQUIPMENT LOSS OR SHIFT 10 - CROSS MEDIAN 15 - PEDALCYCLE 21 - PARKED MOTOR VEHICLE

OF THROUGH LANES ON ROAD **4**

RAIL GRADE CROSSING **1** 1 - NOT INVOLVED 2 - INVOLVED-ACTIVE CROSSING 3 - INVOLVED-PASSIVE CROSSING

COLLISION WITH FIXED OBJECT - STRUCK

25 - IMPACT ATTENUATOR / CRASH CUSHION 31 - GUARDRAIL END 37 - TRAFFIC SIGN POST 43 - CURB
 26 - BRIDGE OVERHEAD STRUCTURE 32 - PORTABLE BARRIER 38 - OVERHEAD SIGN POST 44 - DITCH
 27 - BRIDGE PIER OR ABUTMENT 33 - MEDIAN CABLE BARRIER 39 - LIGHT / LUMINARIES SUPPORT 45 - EMBANKMENT
 28 - BRIDGE PARAPET 34 - MEDIAN GUARDRAIL BARRIER 40 - UTILITY POLE 46 - FENCE
 29 - BRIDGE RAIL 35 - MEDIAN CONCRETE BARRIER 41 - OTHER POST, POLE OR SUPPORT 47 - MAILBOX
 30 - GUARDRAIL FACE 36 - MEDIAN OTHER BARRIER 42 - CULVERT 48 - TREE 49 - FIRE HYDRANT
 50 - WORK ZONE MAINTENANCE EQUIPMENT 51 - WALL 52 - BUILDING 53 - TUNNEL 54 - OTHER FIXED OBJECT 99 - OTHER / UNKNOWN

UNIT / NON-MOTORIST DIRECTION

FROM **1** TO **2**

1 - NORTH 5 - NORTHEAST
 2 - SOUTH 6 - NORTHWEST
 3 - EAST 7 - SOUTHEAST
 4 - WEST 8 - SOUTHWEST
 9 - OTHER / UNKNOWN

FIRST HARMFUL EVENT **1** **MOST HARMFUL EVENT** **1**

UNIT SPEED **0 0 0**

POSTED SPEED **2 5**

DETECTED SPEED **1** 1 - STATED / ESTIMATED SPEED 2 - CALCULATED / EDR 3 - UNDETERMINED

OWNER

UNIT # **0 2** OWNER NAME: LAST, FIRST, MIDDLE (SAME AS DRIVER) **WESTWOOD, WILLIAM, TAIT**

OWNER ADDRESS: STREET, CITY, STATE, ZIP (SAME AS DRIVER) **1205 MAPLE BROOK RD, NEW CONCORD, OH 43762**

COMMERCIAL CARRIER: NAME, ADDRESS, CITY, STATE, ZIP _____ COMMERCIAL CARRIER PHONE: INCLUDE AREA CODE _____

VEHICLE

LP STATE **OH** LICENSE PLATE # **HYQ5086** VEHICLE IDENTIFICATION # **5TEU42N36Z225818** VEHICLE YEAR **2006** VEHICLE MAKE **Toyota**

INSURANCE VERIFIED INSURANCE COMPANY **STATEFARM** INSURANCE POLICY # **C54-9151-B04-35** COLOR **SIL** VEHICLE MODEL **TACOMA**

COMMERCIAL TYPE OF USE GOVERNMENT IN EMERGENCY RESPONSE US DOT # _____ TOWED BY: COMPANY NAME _____

INTERLOCK DEVICE EQUIPPED HIT/SKIP UNIT #OCCUPANTS **0 2** VEHICLE WEIGHT GVWR/GCWR HAZARDOUS MATERIAL MATERIAL RELEASED PLACARD CLASS # PLACARD ID #

UNIT TYPE **0 4** # OF TRAILING UNITS **00**

1 - PASSENGER CAR	7 - MOTORCYCLE 2-WHEELED	12 - GOLF CART	18 - LIMO (LIVERY VEHICLE)	23 - PEDESTRIAN / SKATER
2 - PASSENGER VAN (MINIVAN)	8 - MOTORCYCLE 3-WHEELED	13 - SNOWMOBILE	19 - BUS (16+ PASSENGERS)	24 - WHEELCHAIR (ANY TYPE)
3 - SPORT UTILITY VEHICLE	9 - AUTOCYCLE	14 - SINGLE UNIT TRUCK	20 - OTHER VEHICLE	25 - OTHER NON-MOTORIST
4 - PICK UP	10 - MOPED OR MOTORIZED BICYCLE	15 - SEMI-TRACTOR	21 - HEAVY EQUIPMENT	26 - BICYCLE
5 - CARGOVAN	11 - ALL TERRAIN VEHICLE (ATV / UTV)	16 - FARM EQUIPMENT	22 - ANIMAL WITH RIDER OR ANIMAL-DRAWN VEHICLE	27 - TRAIN
6 - VAN (9-15 SEATS)		17 - MOTORHOME		99 - UNKNOWN OR HITSKIP

WAS VEHICLE OPERATING IN AUTONOMOUS MODE WHEN CRASH OCCURRED? **2** AUTONOMOUS MODE LEVEL **0**

1 - YES 2 - NO 9 - OTHER / UNKNOWN

0 - NO AUTOMATION 1 - DRIVER ASSISTANCE 2 - PARTIAL AUTOMATION 3 - CONDITIONAL AUTOMATION 4 - HIGH AUTOMATION 5 - FULL AUTOMATION 9 - UNKNOWN

SPECIAL FUNCTION **0 1**

1 - NONE	6 - BUS - CHARTER/TOUR	11 - FIRE	16 - FARM	21 - MAIL CARRIER
2 - TAXI	7 - BUS - INTERCITY	12 - MILITARY	17 - MOWING	99 - OTHER / UNKNOWN
3 - ELECTRONIC RIDE SHARING	8 - BUS - SHUTTLE	13 - POLICE	18 - SNOW REMOVAL	
4 - SCHOOL TRANSPORT	9 - BUS - OTHER	14 - PUBLIC UTILITY	19 - TOWING	
5 - BUS - TRANSIT/COMMUTER	10 - AMBULANCE	15 - CONSTRUCTION EQUIPMENT	20 - SAFETY SERVICE PATROL	

CARGO BODY TYPE **0 1**

1 - NO CARGO BODY TYPE / NOT APPLICABLE	3 - VEHICLE TOWING ANOTHER MOTOR VEHICLE	5 - INTERMODAL CONTAINER CHASSIS	8 - POLE	12 - CONCRETE MIXER
2 - BUS	4 - LOGGING	6 - CARGOVAN/ENCLOSED BOX	9 - CARGO TANK	13 - AUTOTRANSPORTER
		7 - GRAIN/CHIPS/GRAVEL	10 - FLAT BED	14 - GARBAGE/REFUSE
			11 - DUMP	99 - OTHER / UNKNOWN

VEHICLE DEFECTS

1 - TURN SIGNALS	4 - BRAKES	7 - WORN OR SLICK TIRES	9 - MOTOR TROUBLE	99 - OTHER / UNKNOWN
2 - HEAD LAMPS	5 - STEERING	8 - TRAILER EQUIPMENT DEFECTIVE	10 - DISABLED FROM PRIOR ACCIDENT	
3 - TAIL LAMPS	6 - TIRE BLOWOUT			

NON-MOTORIST LOCATION AT IMPACT

1 - INTERSECTION - MARKED CROSSWALK	3 - INTERSECTION - OTHER	6 - BICYCLE LANE	9 - MEDIAN/CROSSING ISLAND	12 - FIRST RESPONDER AT INCIDENT SCENE
2 - INTERSECTION - UNMARKED CROSSWALK	4 - MIDBLOCK - MARKED CROSSWALK	7 - SHOULDER / ROADSIDE	10 - DRIVEWAY ACCESS	99 - OTHER / UNKNOWN
	5 - TRAVEL LANE - OTHER LOCATION	8 - SIDEWALK	11 - SHARED USE PATHS OR TRAILS	

ACTION **3** PRE-CRASH ACTIONS **0 5**

1 - NON-CONTACT	1 - STRAIGHT AHEAD	7 - MAKING U-TURN	13 - NEGOTIATING A CURVE	18 - APPROACHING OR LEAVING VEHICLE
2 - NON-COLLISION	2 - BACKING	8 - ENTERING TRAFFIC LANE	14 - ENTERING OR CROSSING SPECIFIED LOCATION	19 - STANDING
3 - STRIKING	3 - CHANGING LANES	9 - LEAVING TRAFFIC LANE	15 - WALKING, RUNNING, JOGGING, PLAYING	20 - OTHER NON-MOTORIST
4 - STRUCK	4 - OVERTAKING/PASSING	10 - PARKED	16 - WORKING	21 - STANDING OUTSIDE DISABLED VEHICLE
5 - BOTH STRIKING & STRUCK	5 - MAKING RIGHT TURN	11 - SLOWING OR STOPPED IN TRAFFIC	17 - PUSHING VEHICLE	99 - OTHER / UNKNOWN
9 - OTHER / UNKNOWN	6 - MAKING LEFT TURN	12 - DRIVERLESS		

CONTRIBUTING CIRCUMSTANCES **0 8**

1 - NONE	7 - LEFT OF CENTER	13 - IMPROPER START FROM A PARKED POSITION	17 - VISION OBSTRUCTION	21 - LYING IN ROADWAY
2 - FAILURE TO YIELD	8 - FOLLOWING TOO CLOSE / ACDA	14 - STOPPED OR PARKED ILLEGALLY	18 - OPERATING DEFECTIVE EQUIPMENT	22 - NOT DISCERNIBLE
3 - RAN RED LIGHT	9 - IMPROPER LANE CHANGE	15 - SWERVING TO AVOID	19 - LOAD SHIFTING/FALLING/SPILLING	23 - OPENING DOOR INTO ROADWAY
4 - RAN STOP SIGN	10 - IMPROPER PASSING	16 - WRONG WAY	20 - IMPROPER CROSSING	99 - OTHER IMPROPER ACTION
5 - UNSAFE SPEED	11 - DROVE OFF ROAD			
6 - IMPROPER TURN	12 - IMPROPER BACKING			

SEQUENCE OF EVENTS

1 **2 0**

1 - OVERTURN/ROLLOVER	6 - EQUIPMENT FAILURE	11 - CROSS CENTERLINE - OPPOSITE DIRECTION OF TRAVEL	16 - RAILWAY VEHICLE	22 - WORK ZONE MAINTENANCE EQUIPMENT
2 - FIRE/EXPLOSION	7 - SEPARATION OF UNITS	12 - DOWNHILL RUNAWAY	17 - ANIMAL - FARM	23 - STRUCK BY FALLING, SHIFTING CARGO OR ANYTHING SET IN MOTION BY A MOTOR VEHICLE
3 - IMMERSION	8 - RAN OFF ROAD RIGHT	13 - OTHER NON-COLLISION	18 - ANIMAL - DEER	24 - OTHER MOVABLE OBJECT
4 - JACKKNIFE	9 - RAN OFF ROAD LEFT	14 - PEDESTRIAN	19 - ANIMAL - OTHER	
5 - CARGO / EQUIPMENT LOSS OR SHIFT	10 - CROSS MEDIAN	15 - PEDALCYCLE	20 - MOTOR VEHICLE IN TRANSPORT	
			21 - PARKED MOTOR VEHICLE	

COLLISION WITH FIXED OBJECT - STRUCK

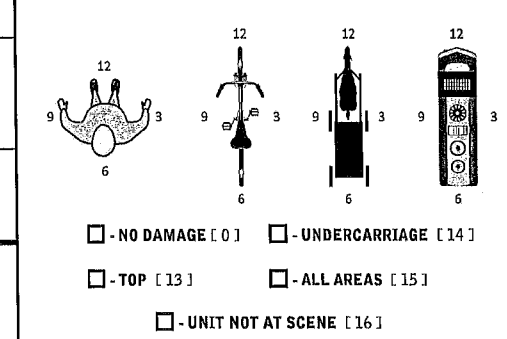
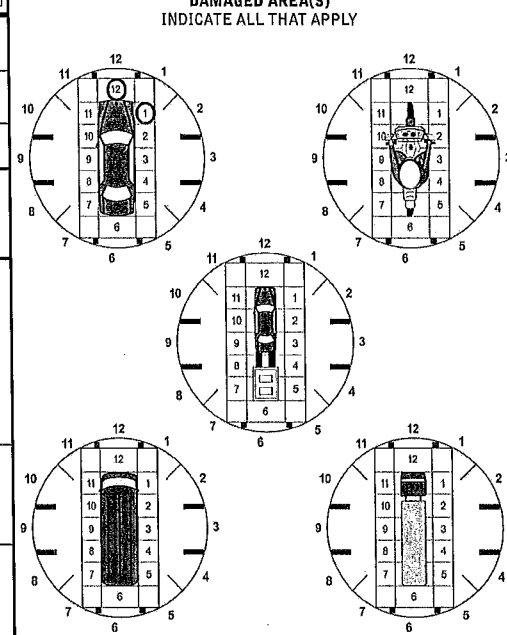
25 - IMPACT ATTENUATOR / CRASH CUSHION	31 - GUARDRAIL END	37 - TRAFFIC SIGN POST	43 - CURB	50 - WORK ZONE MAINTENANCE EQUIPMENT
26 - BRIDGE OVERHEAD STRUCTURE	32 - PORTABLE BARRIER	38 - OVERHEAD SIGN POST	44 - DITCH	51 - WALL
27 - BRIDGE PIER OR ABUTMENT	33 - MEDIAN CABLE BARRIER	39 - LIGHT / LUMINARIES SUPPORT	45 - EMBANKMENT	52 - BUILDING
28 - BRIDGE PARAPET	34 - MEDIAN GUARDRAIL BARRIER	40 - UTILITY POLE	46 - FENCE	53 - TUNNEL
29 - BRIDGE RAIL	35 - MEDIAN CONCRETE BARRIER	41 - OTHER POST, POLE OR SUPPORT	47 - MAILBOX	54 - OTHER FIXED OBJECT
30 - GUARDRAIL FACE	36 - MEDIAN OTHER BARRIER	42 - CULVERT	48 - TREE	99 - OTHER / UNKNOWN
			49 - FIRE HYDRANT	

FIRST HARMFUL EVENT **1** MOST HARMFUL EVENT **1**

DAMAGE

DAMAGE SCALE **3**

1 - NONE 3 - FUNCTIONAL DAMAGE
2 - MINOR DAMAGE 4 - DISABLING DAMAGE
9 - UNKNOWN



INITIAL POINT OF CONTACT

1 2

0 - NO DAMAGE 14 - UNDERCARRIAGE
1-12 - REFER TO UNIT DIAGRAM 15 - VEHICLE NOT AT SCENE
13 - TOP 99 - UNKNOWN

TRAFFIC

TRAFFICWAY FLOW **2**

1 - ONE-WAY 2 - TWO-WAY

TRAFFIC CONTROL **2**

1 - ROUNDABOUT 4 - STOP SIGN
2 - SIGNAL 5 - YIELD SIGN
3 - FLASHER 6 - NO CONTROL

OF THROUGH LANES ON ROAD **4**

RAIL GRADE CROSSING **1**

1 - NOT INVOLVED
2 - INVOLVED-ACTIVE CROSSING
3 - INVOLVED-PASSIVE CROSSING

UNIT / NON-MOTORIST DIRECTION

FROM **4** TO **2**

1 - NORTH 5 - NORTHEAST
2 - SOUTH 6 - NORTHWEST
3 - EAST 7 - SOUTHEAST
4 - WEST 8 - SOUTHWEST
9 - OTHER / UNKNOWN

UNIT SPEED **0 0 5**

POSTED SPEED **2 5**

DETECTED SPEED **1**

1 - STATED / ESTIMATED SPEED
2 - CALCULATED / EDR
3 - UNDETERMINED



MOTORIST / Non-MOTORIST

LOCAL REPORT NUMBER
 2 0 2 2 - 0 0 0 1 4 8 1 0

UNIT # 0 1	NAME: LAST, FIRST, MIDDLE COOPER, JACK, EDWARD		DATE OF BIRTH 0 6 1 9 2 0 0 1		AGE 21	GENDER M				
ADDRESS: STREET, CITY, STATE, ZIP 6800 ALPHA DR 391 ,Franklin Twp ,OH 44240					CONTACT PHONE - INCLUDE AREA CODE					
INJURIES 5	INJURED TAKEN BY	EMS AGENCY (NAME)	INJURED TAKEN TO: MEDICAL FACILITY (NAME, CITY)	SAFETY EQUIPMENT USED 0 4	<input type="checkbox"/> DOT-COMPLIANT MC HELMET	SEATING POSITION 0 1	AIR BAG USAGE 1	EJECTION 1	TRAPPED 1	
OL STATE O H	OPERATOR LICENSE NUMBER		OFFENSE CHARGED	LOCAL CODE <input type="checkbox"/>	OFFENSE DESCRIPTION		CITATION NUMBER			
OL CLASS 4	ENDORSEMENT SELECT UP TO 2	RESTRICTION SELECT UP TO 3	DRIVER DISTRACTED BY 1	ALCOHOL / DRUG SUSPECTED <input type="checkbox"/> ALCOHOL <input type="checkbox"/> MARIJUANA <input type="checkbox"/> OTHER DRUG		CONDITION 1	ALCOHOL TEST STATUS TYPE VALUE		DRUG TEST(S) STATUS TYPE RESULT SELECT UP TO 4	

UNIT # 0 2	NAME: LAST, FIRST, MIDDLE WESTWOOD, LANDRY, JAMES		DATE OF BIRTH 0 5 0 7 2 0 0 3		AGE 19	GENDER M				
ADDRESS: STREET, CITY, STATE, ZIP 609 S LINCOLN ST A205 ,Kent ,OH 44240					CONTACT PHONE - INCLUDE AREA CODE					
INJURIES 5	INJURED TAKEN BY	EMS AGENCY (NAME)	INJURED TAKEN TO: MEDICAL FACILITY (NAME, CITY)	SAFETY EQUIPMENT USED 0 4	<input type="checkbox"/> DOT-COMPLIANT MC HELMET	SEATING POSITION 0 1	AIR BAG USAGE 1	EJECTION 1	TRAPPED 1	
OL STATE O H	OPERATOR LICENSE NUMBER		OFFENSE CHARGED 333.03	LOCAL CODE <input checked="" type="checkbox"/>	OFFENSE DESCRIPTION Maximum Speed Limits		CITATION NUMBER 21220			
OL CLASS 4	ENDORSEMENT SELECT UP TO 2	RESTRICTION SELECT UP TO 3	DRIVER DISTRACTED BY 1	ALCOHOL / DRUG SUSPECTED <input type="checkbox"/> ALCOHOL <input type="checkbox"/> MARIJUANA <input type="checkbox"/> OTHER DRUG		CONDITION 1	ALCOHOL TEST STATUS TYPE VALUE		DRUG TEST(S) STATUS TYPE RESULT SELECT UP TO 4	

UNIT #	NAME: LAST, FIRST, MIDDLE		DATE OF BIRTH		AGE	GENDER				
ADDRESS: STREET, CITY, STATE, ZIP					CONTACT PHONE - INCLUDE AREA CODE					
INJURIES	INJURED TAKEN BY	EMS AGENCY (NAME)	INJURED TAKEN TO: MEDICAL FACILITY (NAME, CITY)	SAFETY EQUIPMENT USED	<input type="checkbox"/> DOT-COMPLIANT MC HELMET	SEATING POSITION	AIR BAG USAGE	EJECTION	TRAPPED	
OL STATE	OPERATOR LICENSE NUMBER		OFFENSE CHARGED	LOCAL CODE <input type="checkbox"/>	OFFENSE DESCRIPTION		CITATION NUMBER			
OL CLASS	ENDORSEMENT SELECT UP TO 2	RESTRICTION SELECT UP TO 3	DRIVER DISTRACTED BY	ALCOHOL / DRUG SUSPECTED <input type="checkbox"/> ALCOHOL <input type="checkbox"/> MARIJUANA <input type="checkbox"/> OTHER DRUG		CONDITION	ALCOHOL TEST STATUS TYPE VALUE		DRUG TEST(S) STATUS TYPE RESULT SELECT UP TO 4	

INJURIES	SEATING POSITION	AIR BAG	OL CLASS	OL RESTRICTION(S)	DRIVER DISTRACTION	TEST STATUS
1 - FATAL 2 - SUSPECTED SERIOUS INJURY 3 - SUSPECTED MINOR INJURY 4 - POSSIBLE INJURY 5 - NO APPARENT INJURY	1 - FRONT - LEFT SIDE (MOTORCYCLE DRIVER) 2 - FRONT - MIDDLE 3 - FRONT - RIGHT SIDE 4 - SECOND - LEFT SIDE (MOTORCYCLE PASSENGER) 5 - SECOND - MIDDLE 6 - SECOND - RIGHT SIDE 7 - THIRD - LEFT SIDE (MOTORCYCLE SIDE CAR) 8 - THIRD - MIDDLE 9 - THIRD - RIGHT SIDE 10 - SLEEPER SECTION OF TRUCK CAB	1 - NOT DEPLOYED 2 - DEPLOYED FRONT 3 - DEPLOYED SIDE 4 - DEPLOYED BOTH FRONT / SIDE 5 - NOT APPLICABLE 9 - DEPLOYMENT UNKNOWN	1 - CLASS A 2 - CLASS B 3 - CLASS C 4 - REGULAR CLASS (OHIO = D) 5 - MC MOPED ONLY 6 - NO VALID OL	1 - ALCOHOL INTERLOCK DEVICE 2 - CDL INTRASTATE ONLY 3 - CORRECTIVE LENSES 4 - FARM WAIVER 5 - EXCEPT CLASS A BUS 6 - EXCEPT CLASS A & CLASS B BUS 7 - EXCEPT TRACTOR-TRAILER 8 - INTERMEDIATE LICENSE RESTRICTIONS 9 - LEARNER'S PERMIT RESTRICTIONS 10 - LIMITED TO DAYLIGHT ONLY 11 - LIMITED TO EMPLOYMENT 12 - LIMITED - OTHER 13 - MECHANICAL DEVICES (SPECIAL BRAKES, HAND CONTROLS, OR OTHER ADAPTIVE DEVICES) 14 - MILITARY VEHICLES ONLY 15 - MOTOR VEHICLES WITHOUT AIR BRAKES 16 - OUTSIDE MIRROR 17 - PROSTHETIC AID 18 - OTHER	1 - NOT DISTRACTED 2 - MANUALLY OPERATING AN ELECTRONIC COMMUNICATION DEVICE (TEXTING, TYPING, DIALING) 3 - TALKING ON HANDS-FREE COMMUNICATION DEVICE 4 - TALKING ON HAND-HELD COMMUNICATION DEVICE 5 - OTHER ACTIVITY WITH AN ELECTRONIC DEVICE 6 - PASSENGER 7 - OTHER DISTRACTION INSIDE THE VEHICLE 8 - OTHER DISTRACTION OUTSIDE THE VEHICLE 9 - OTHER / UNKNOWN	1 - NONE GIVEN 2 - TEST REFUSED 3 - TEST GIVEN, CONTAMINATED SAMPLE / UNUSABLE 4 - TEST GIVEN, RESULTS KNOWN 5 - TEST GIVEN, RESULTS UNKNOWN
INJURED TAKEN BY	EJECTION	TRAPPED	OL ENDORSEMENT	CONDITION	ALCOHOL TEST TYPE	DRUG TEST TYPE
1 - NOT TRANSPORTED / TREATED AT SCENE 2 - EMS 3 - POLICE 9 - OTHER / UNKNOWN	1 - NOT EJECTED 2 - PARTIALLY EJECTED 3 - TOTALLY EJECTED 4 - NOT APPLICABLE	1 - NOT TRAPPED 2 - EXTRICATED BY MECHANICAL MEANS 3 - FREED BY NON-MECHANICAL MEANS	H - HAZMAT M - MOTORCYCLE P - PASSENGER N - TANKER Q - MOTOR SCOOTER R - THREE-WHEEL MOTORCYCLE S - SCHOOL BUS T - DOUBLE & TRIPLE TRAILERS X - TANKER / HAZMAT	1 - NONE 2 - BLOOD 3 - URINE 4 - BREATH 5 - OTHER	1 - NONE 2 - BLOOD 3 - URINE 4 - OTHER	1 - NONE 2 - BLOOD 3 - URINE 4 - OTHER
SAFETY EQUIPMENT	TRAPPED	DRUG TEST RESULT(S)	GENDER	CONDITION	DRUG TEST RESULT(S)	DRUG TEST RESULT(S)
1 - NONE USED 2 - SHOULDER BELT ONLY USED 3 - LAP BELT ONLY USED 4 - SHOULDER & LAP BELT USED 5 - CHILD RESTRAINT SYSTEM - FORWARD FACING 6 - CHILD RESTRAINT SYSTEM - REAR FACING 7 - BOOSTER SEAT 8 - HELMET USED 9 - PROTECTIVE PADS USED (ELBOW, KNEES, ETC.) 10 - REFLECTIVE CLOTHING 11 - LIGHTING - PEDESTRIAN / BICYCLE ONLY 99 - OTHER / UNKNOWN	1 - NOT TRAPPED 2 - EXTRICATED BY MECHANICAL MEANS 3 - FREED BY NON-MECHANICAL MEANS	1 - NONE 2 - BLOOD 3 - URINE 4 - OTHER	F - FEMALE M - MALE U - OTHER / UNKNOWN	1 - APPARENTLY NORMAL 2 - PHYSICAL IMPAIRMENT 3 - EMOTIONAL (E.G., DEPRESSED, ANGRY, DISTURBED) 4 - ILLNESS 5 - FELL ASLEEP, FAINTED, FATIGUED, ETC. 6 - UNDER THE INFLUENCE OF MEDICATIONS / DRUGS / ALCOHOL 9 - OTHER / UNKNOWN	1 - AMPHETAMINES 2 - BARBITURATES 3 - BENZODIAZEPINES 4 - CANNABINOIDS 5 - COCAINE 6 - OPIATES / OPIOIDS 7 - OTHER 8 - NEGATIVE RESULTS	1 - AMPHETAMINES 2 - BARBITURATES 3 - BENZODIAZEPINES 4 - CANNABINOIDS 5 - COCAINE 6 - OPIATES / OPIOIDS 7 - OTHER 8 - NEGATIVE RESULTS



OCCUPANT / WITNESS ADDENDUM

LOCAL REPORT NUMBER
2 0 2 2 - 0 0 0 1 4 8 1 0

OCCUPANT	UNIT # 01	NAME: LAST, FIRST, MIDDLE KAUFMAN, ISABELLA, SUSAN	DATE OF BIRTH 0 1 1 7 2 0 0 1	AGE 2 1	GENDER F
	ADDRESS: STREET, CITY, STATE, ZIP 6600 ALPHA DR 309 ,Franklin Twp ,OH 44240			CONTACT PHONE - INCLUDE AREA CODE	
	INJURIES 5	INJURED TAKEN BY	EMS AGENCY (NAME)	INJURED TAKEN TO: MEDICAL FACILITY (NAME, CITY)	SAFETY EQUIPMENT USED 0 4

OCCUPANT	UNIT # 02	NAME: LAST, FIRST, MIDDLE HIRE, EVELYN, MAE	DATE OF BIRTH 0 4 1 2 2 0 0 3	AGE 1 9	GENDER F
	ADDRESS: STREET, CITY, STATE, ZIP 1664 LOBLOLLY CT 244 ,Kent ,OH 44240			CONTACT PHONE - INCLUDE AREA CODE	
	INJURIES 5	INJURED TAKEN BY	EMS AGENCY (NAME)	INJURED TAKEN TO: MEDICAL FACILITY (NAME, CITY)	SAFETY EQUIPMENT USED 0 4

OCCUPANT	UNIT #	NAME: LAST, FIRST, MIDDLE	DATE OF BIRTH	AGE	GENDER
	ADDRESS: STREET, CITY, STATE, ZIP			CONTACT PHONE - INCLUDE AREA CODE	
	INJURIES	INJURED TAKEN BY	EMS AGENCY (NAME)	INJURED TAKEN TO: MEDICAL FACILITY (NAME, CITY)	SAFETY EQUIPMENT USED

OCCUPANT	UNIT #	NAME: LAST, FIRST, MIDDLE	DATE OF BIRTH	AGE	GENDER
	ADDRESS: STREET, CITY, STATE, ZIP			CONTACT PHONE - INCLUDE AREA CODE	
	INJURIES	INJURED TAKEN BY	EMS AGENCY (NAME)	INJURED TAKEN TO: MEDICAL FACILITY (NAME, CITY)	SAFETY EQUIPMENT USED

INJURIES	SAFETY EQUIPMENT USED	SEATING POSITION	AIR BAG USAGE
1 - FATAL	1 - NONE USED - VEHICLE OCCUPANT	1 - FRONT - LEFT SIDE (MOTORCYCLE DRIVER)	1 - NOT DEPLOYED
2 - SUSPECTED SERIOUS INJURY	2 - SHOULDER BELT ONLY USED	2 - FRONT - MIDDLE	2 - DEPLOYED FRONT
3 - SUSPECTED MINOR INJURY	3 - LAP BELT ONLY USED	3 - FRONT - RIGHT SIDE	3 - DEPLOYED SIDE
4 - POSSIBLE INJURY	4 - SHOULDER & LAP BELT USED	4 - SECOND - LEFT SIDE (MOTORCYCLE PASSENGER)	4 - DEPLOYED BOTH FRONT/SIDE
5 - NO APPARENT INJURY	5 - CHILD RESTRAINT SYSTEM - FORWARD FACING	5 - SECOND - MIDDLE	5 - NOT APPLICABLE
INJURED TAKEN BY		6 - SECOND - RIGHT SIDE	9 - DEPLOYMENT UNKNOWN
1 - NOT TRANSPORTED / TREATED AT SCENE	6 - CHILD RESTRAINT SYSTEM - REAR FACING	7 - THIRD - LEFT SIDE (MOTORCYCLE SIDE CAR)	EJECTION
2 - EMS	7 - BOOSTER SEAT	8 - THIRD - MIDDLE	1 - NOT EJECTED
3 - POLICE	8 - HELMET USED	9 - THIRD - RIGHT SIDE	2 - PARTIALLY EJECTED
9 - OTHER / UNKNOWN	9 - PROTECTIVE PADS USED (ELBOW, KNEES, ETC.)	10 - SLEEPER SECTION OF TRUCK CAB	3 - TOTALLY EJECTED
GENDER		11 - PASSENGER IN OTHER ENCLOSED CARGO AREA (NON-TRAILING UNIT, BUS, PICK-UP WITH CAP)	4 - NOT APPLICABLE
F - FEMALE	10 - REFLECTIVE CLOTHING	12 - PASSENGER IN UNENCLOSED CARGO AREA	TRAPPED
M - MALE	11 - LIGHTING - PEDESTRIAN / BICYCLE ONLY	13 - TRAILING UNIT	1 - NOT TRAPPED
U - OTHER / UNKNOWN	99 - OTHER / UNKNOWN	14 - RIDING ON VEHICLE EXTERIOR (NON-TRAILING UNIT)	2 - EXTRICATED BY MECHANICAL MEANS
		15 - NON-MOTORIST	3 - FREED BY NON-MECHANICAL MEANS
		99 - OTHER / UNKNOWN	

WITNESS	NAME: LAST, FIRST, MIDDLE	DATE OF BIRTH	AGE	GENDER
	ADDRESS: STREET, CITY, STATE, ZIP	CONTACT PHONE - INCLUDE AREA CODE		

WITNESS	NAME: LAST, FIRST, MIDDLE	DATE OF BIRTH	AGE	GENDER
	ADDRESS: STREET, CITY, STATE, ZIP	CONTACT PHONE - INCLUDE AREA CODE		

WITNESS	NAME: LAST, FIRST, MIDDLE	DATE OF BIRTH	AGE	GENDER
	ADDRESS: STREET, CITY, STATE, ZIP	CONTACT PHONE - INCLUDE AREA CODE		