

TRAFFIC CRASH REPORT

*DENOTES MANDATORY FIELD FOR SUPPLEMENT REPORT

LOCAL REPORT NUMBER*

2, 0, 2, 3 - 0, 0, 0, 0, 3, 7, 6, 9

PHOTOS TAKEN
 SECONDARY CRASH

OH-2 OH-3
 OH-1P OTHER
 PRIVATE PROPERTY

LOCAL INFORMATION

REPORTING AGENCY NAME*
City of Kent Police

NCIC*
0, 6, 7, 0, 3

HIT/SKIP
1 - SOLVED
2 - UNSOLVED

NUMBER OF UNITS
0, 2

UNIT IN ERROR
98 - ANIMAL
99 - UNKNOWN
0, 1

COUNTY* **6, 7** LOCALITY* **1** LOCATION: CITY, VILLAGE, TOWNSHIP*
Kent

CRASH DATE / TIME*
03, 10, 20, 23 / 10, 17

CRASH SEVERITY
1 - FATAL
2 - SERIOUS INJURY SUSPECTED
3 - MINOR INJURY SUSPECTED
4 - INJURY POSSIBLE
5 - PROPERTY DAMAGE ONLY
5

ROUTE TYPE ROUTE NUMBER PREFIX N - NORTH S - SOUTH E - EAST W - WEST LOCATION ROAD NAME ROAD TYPE
GOUGLER **A, V**

LATITUDE DECIMAL DEGREES
41, 1, 5, 4, 8, 0, 7

ROUTE TYPE ROUTE NUMBER PREFIX N - NORTH S - SOUTH E - EAST W - WEST REFERENCE ROAD NAME (ROAD, MILEPOST, HOUSE #) ROAD TYPE
PARK **A, V**

LONGITUDE DECIMAL DEGREES
-81, 3, 6, 0, 2, 6, 2

REFERENCE POINT FROM REFERENCE
1 - INTERSECTION
2 - MILE POST
3 - HOUSE #
1

DIRECTION FROM REFERENCE
N - NORTH
S - SOUTH
E - EAST
W - WEST
2

ROUTE TYPE
IR - INTERSTATE ROUTE (TP)
US - FEDERAL US ROUTE
SR - STATE ROUTE
CR - NUMBERED COUNTY ROUTE
TR - NUMBERED TOWNSHIP ROUTE

ROAD TYPE
AL - ALLEY
AV - AVENUE
BL - BOULEVARD
CR - CIRCLE
CT - COURT
DR - DRIVE
HE - HEIGHTS
HW - HIGHWAY
LA - LANE
MP - MILEPOST
OV - OVAL
PK - PARKWAY
PI - PIKE
PL - PLACE
RD - ROAD
SQ - SQUARE
ST - STREET
TE - TERRACE
TL - TRAIL
WA - WAY

DISTANCE FROM REFERENCE
2, 0

DISTANCE UNIT OF MEASURE
1 - MILES
2 - FEET
3 - YARDS
2

INTERSECTION RELATED
 WITHIN INTERSECTION OR ON APPROACH
 WITHIN INTERCHANGE AREA

NUMBER OF APPROACHES

ROADWAY
 ROADWAY DIVIDED

LOCATION OF FIRST HARMFUL EVENT
1 - ON ROADWAY
2 - ON SHOULDER
3 - IN MEDIAN
4 - ON ROADSIDE
5 - ON GORE
6 - OUTSIDE TRAFFIC WAY
7 - ON RAMP
8 - OFF RAMP
9 - CROSSOVER
10 - DRIVEWAY/ALLEY ACCESS
11 - RAILWAY GRADE CROSSING
12 - SHARED USE PATHS OR TRAILS
13 - BIKE LANE
14 - TOLL BOOTH
99 - OTHER / UNKNOWN
0, 1

MANNER OF CRASH COLLISION/IMPACT
1 - NOT COLLISION BETWEEN TWO MOTOR VEHICLES IN TRANSPORT
2 - REAR-END
3 - HEAD-ON
4 - REAR-TO-REAR
5 - BACKING
6 - ANGLE
7 - SIDESWIPE, SAME DIRECTION
8 - SIDESWIPE, OPPOSITE DIRECTION
9 - OTHER / UNKNOWN
6

DIRECTION OF TRAVEL
N - NORTH
S - SOUTH
E - EAST
W - WEST

MEDIAN TYPE
1 - DIVIDED FLUSH MEDIAN (<4 FEET)
2 - DIVIDED FLUSH MEDIAN (≥4 FEET)
3 - DIVIDED, DEPRESSED MEDIAN
4 - DIVIDED, RAISED MEDIAN (ANYTYPE)
9 - OTHER/UNKNOWN

WORK ZONE RELATED
 WORKERS PRESENT
 LAW ENFORCEMENT PRESENT
 ACTIVE SCHOOL ZONE

WORK ZONE TYPE
1 - LANE CLOSURE
2 - LANE SHIFT/CROSSOVER
3 - WORK ON SHOULDER OR MEDIAN
4 - INTERMITTENT OR MOVING WORK
5 - OTHER

LOCATION OF CRASH IN WORK ZONE
1 - BEFORE THE 1ST WORK ZONE WARNING SIGN
2 - ADVANCE WARNING AREA
3 - TRANSITION AREA
4 - ACTIVITY AREA
5 - TERMINATION AREA

CONTOUR
1

1 - STRAIGHT LEVEL
2 - STRAIGHT GRADE
3 - CURVE LEVEL
4 - CURVE GRADE
9 - OTHER/UNKNOWN

CONDITIONS
2

1 - DRY
2 - WET
3 - SNOW
4 - ICE
5 - SAND, MUD, DIRT, OIL, GRAVEL
6 - WATER (STANDING, MOVING)
7 - SLUSH
9 - OTHER/UNKNOWN

SURFACE
2

1 - CONCRETE
2 - BLACKTOP, BITUMINOUS, ASPHALT
3 - BRICK/BLOCK
4 - SLAG, GRAVEL, STONE
5 - DIRT
9 - OTHER/UNKNOWN

LIGHT CONDITION
1 - DAYLIGHT
2 - DAWN/DUSK
3 - DARK - LIGHTED ROADWAY
4 - DARK - ROADWAY NOT LIGHTED
5 - DARK - UNKNOWN ROADWAY LIGHTING
9 - OTHER / UNKNOWN
1

WEATHER
1 - CLEAR
2 - CLOUDY
3 - FOG, SMOG, SMOKE
4 - RAIN
5 - SLEET, HAIL
6 - SNOW
7 - SEVERE CROSSWINDS
8 - BLOWING SAND, SOIL, DIRT, SNOW
9 - FREEZING RAIN OR FREEZING DRIZZLE
99 - OTHER / UNKNOWN
0, 4

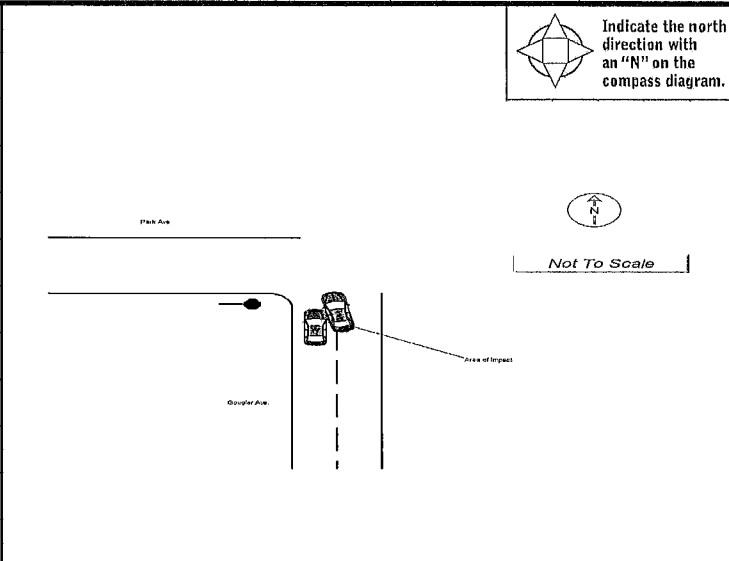
CONTOUR
1

CONDITIONS
2

SURFACE
2

NARRATIVE

Units #1 and #2 were both traveling N/B on Gougler Ave. Unit #1 was traveling in the right lane while Unit #2 was traveling in the left. Unit #1 attempted a left turn from the right lane to travel W/B on Park Ave. Unit #1 struck Unit #2 as it crossed over into Unit #2's lane of travel.



CRASH REPORTED DATE / TIME 0, 3, 1, 0, 2, 0, 2, 3 / 1, 0, 1, 7	DISPATCH DATE / TIME 0, 3, 1, 0, 2, 0, 2, 3 / 1, 0, 1, 7	ARRIVAL DATE / TIME 0, 3, 1, 0, 2, 0, 2, 3 / 1, 0, 2, 0	SCENE CLEARED DATE / TIME 0, 3, 1, 0, 2, 0, 2, 3 / 1, 0, 5, 5	REPORT TAKEN BY <input checked="" type="checkbox"/> POLICE AGENCY <input type="checkbox"/> MOTORIST
TOTAL TIME ROADWAY CLOSED 0, 3, 8	OTHER INVESTIGATION TIME 0, 2, 0	TOTAL MINUTES 0, 5, 8	OFFICER'S NAME* Smith, Mitchell Robert	CHECKED BY OFFICER'S NAME* Wheeler, George
			OFFICER'S BADGE NUMBER* 2, 3, 1	CHECKED BY OFFICER'S BADGE NUMBER* 2, 4, 3

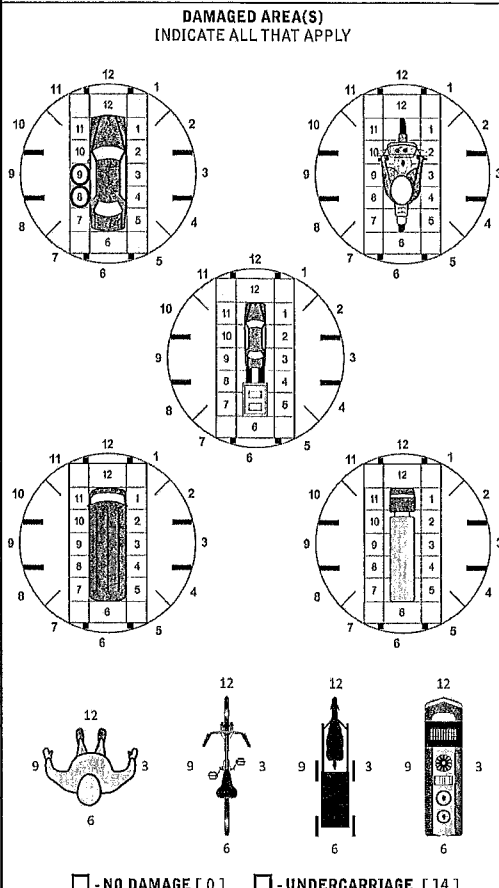
SUPPLEMENT (CORRECTION OR ADDITION TO AN EXISTING REPORT SENT TO OOPS)

LOCAL REPORT NUMBER
2 0 2 3 - 0 0 0 0 3 7 6 9

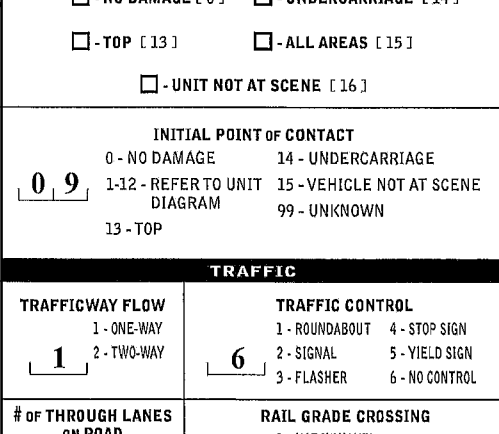
OWNER	UNIT # 0 1	OWNER NAME: LAST, FIRST, MIDDLE (X) SAME AS DRIVER POL, DAWN, MARIE	OWNER PHONE: INCLUDE AREA CODE () SAME AS DRIVER Redacted per ORC 149.43 (A)(1)(m)
	OWNER ADDRESS: STREET, CITY, STATE, ZIP (X) SAME AS DRIVER 4190 1/2 HATTRICK RD, Rootstown, OH 44272		
	COMMERCIAL CARRIER: NAME, ADDRESS, CITY, STATE, ZIP		
	COMMERCIAL CARRIER PHONE: INCLUDE AREA CODE		

DAMAGE	
DAMAGE SCALE	
4	1 - NONE 2 - MINOR DAMAGE 3 - FUNCTIONAL DAMAGE 4 - DISABLING DAMAGE 9 - UNKNOWN

LP STATE OH	LICENSE PLATE # GWD9073	VEHICLE IDENTIFICATION # 1G1ZB5S14JF223641	VEHICLE YEAR 2018	VEHICLE MAKE Chevrolet
<input checked="" type="checkbox"/> INSURANCE VERIFIED	INSURANCE COMPANY ALLSTATE	INSURANCE POLICY # 980961550	COLOR SIL	VEHICLE MODEL MALIBU
<input type="checkbox"/> COMMERCIAL	<input type="checkbox"/> GOVERNMENT	<input type="checkbox"/> IN EMERGENCY RESPONSE	US DOT #	
<input type="checkbox"/> INTERLOCK DEVICE EQUIPPED	<input type="checkbox"/> HIT/SKIP UNIT	#OCCUPANTS 0 1	VEHICLE WEIGHT GVWR/GCWR 1 - <10K LBS. 2 - 10,001 - 26K LBS. 3 - >26K LBS.	
TYPE OF USE		TOWED BY: COMPANY NAME Bakers Towing		
<input type="checkbox"/> COMMERCIAL		<input type="checkbox"/> HAZARDOUS MATERIAL		
<input type="checkbox"/> GOVERNMENT		<input type="checkbox"/> MATERIAL RELEASED		
<input type="checkbox"/> IN EMERGENCY RESPONSE		<input type="checkbox"/> PLACARD		
<input type="checkbox"/> HIT/SKIP UNIT		CLASS # PLACARD ID #		



UNIT TYPE 0 1	1 - PASSENGER CAR 2 - PASSENGER VAN (MINIVAN) 3 - SPORT UTILITY VEHICLE 4 - PICK UP 5 - CARGO VAN 6 - VAN (9-15 SEATS)	7 - MOTORCYCLE 2-WHEELED 8 - MOTORCYCLE 3-WHEELED 9 - AUTOCYCLE 10 - MOPED OR MOTORIZED BICYCLE 11 - ALL TERRAIN VEHICLE (ATV / UTV)	12 - GOLF CART 13 - SNOWMOBILE 14 - SINGLE UNIT TRUCK 15 - SEMI-TRACTOR 16 - FARM EQUIPMENT 17 - MOTORHOME	18 - LIMO (LIVERY VEHICLE) 19 - BUS (16+ PASSENGERS) 20 - OTHER VEHICLE 21 - HEAVY EQUIPMENT 22 - ANIMAL WITH RIDER OR ANIMAL-DRAWN VEHICLE	23 - PEDESTRIAN / SKATER 24 - WHEELCHAIR (ANY TYPE) 25 - OTHER NON-MOTORIST 26 - BICYCLE 27 - TRAIN 99 - UNKNOWN OR HIT/SKIP
WAS VEHICLE OPERATING IN AUTONOMOUS MODE WHEN CRASH OCCURRED? 2	1 - YES 2 - NO 9 - OTHER / UNKNOWN	AUTONOMOUS MODE LEVEL 0	0 - NO AUTOMATION 1 - DRIVER ASSISTANCE 2 - PARTIAL AUTOMATION	3 - CONDITIONAL AUTOMATION 4 - HIGH AUTOMATION 5 - FULL AUTOMATION 9 - UNKNOWN	
SPECIAL FUNCTION 0 1	1 - NONE 2 - TAXI 3 - ELECTRONIC RIDE SHARING 4 - SCHOOL TRANSPORT 5 - BUS - TRANSIT/COMMUTER	6 - BUS - CHARTER/TOUR 7 - BUS - INTERCITY 8 - BUS - SHUTTLE 9 - BUS - OTHER 10 - AMBULANCE	11 - FIRE 12 - MILITARY 13 - POLICE 14 - PUBLIC UTILITY 15 - CONSTRUCTION EQUIPMENT	16 - FARM 17 - MOWING 18 - SNOW REMOVAL 19 - TOWING 20 - SAFETY SERVICE PATROL	21 - MAIL CARRIER 99 - OTHER / UNKNOWN
CARGO BODY TYPE 0 1	1 - NO CARGO BODY TYPE / NOT APPLICABLE 2 - BUS	3 - VEHICLE TOWING ANOTHER MOTOR VEHICLE 4 - LOGGING	5 - INTERMODAL CONTAINER CHASSIS 6 - CARGO VAN/ENCLOSED BOX 7 - GRAIN/CHIPS/GRAVEL	8 - POLE 9 - CARGO TANK 10 - FLAT BED 11 - DUMP	12 - CONCRETE MIXER 13 - AUTO TRANSPORTER 14 - GARBAGE/REFUSE 99 - OTHER / UNKNOWN
VEHICLE DEFECTS	1 - TURN SIGNALS 2 - HEAD LAMPS 3 - TAIL LAMPS	4 - BRAKES 5 - STEERING 6 - TIRE BLOWOUT	7 - WORN OR SLICK TIRES 8 - TRAILER EQUIPMENT DEFECTIVE	9 - MOTOR TROUBLE 10 - DISABLED FROM PRIOR ACCIDENT	99 - OTHER / UNKNOWN
NON-MOTORIST LOCATION AT IMPACT	1 - INTERSECTION - MARKED CROSSWALK 2 - INTERSECTION - UNMARKED CROSSWALK	3 - INTERSECTION - OTHER 4 - MIDDLEBANK - MARKED CROSSWALK 5 - TRAVEL LANE - OTHER LOCATION	6 - BICYCLE LANE 7 - SHOULDER / ROADSIDE 8 - SIDEWALK	9 - MEDIUM CROSSING ISLAND 10 - DRIVEWAY ACCESS 11 - SHARED USE PATHS OR TRAILS	12 - FIRST RESPONDER AT INCIDENT SCENE 99 - OTHER / UNKNOWN
ACTION 3	1 - NON-CONTACT 2 - NON-COLLISION 3 - STRIKING 4 - STRUCK 5 - BOTH STRIKING & STRUCK 9 - OTHER / UNKNOWN	PRE-CRASH ACTIONS 0 6	1 - STRAIGHT AHEAD 2 - BACKING 3 - CHANGING LANES 4 - OVERTAKING/PASSING 5 - MAKING RIGHT TURN 6 - MAKING LEFT TURN	7 - MAKING U-TURN 8 - ENTERING TRAFFIC LANE 9 - LEAVING TRAFFIC LANE 10 - PARKED 11 - SLOWING OR STOPPED IN TRAFFIC 12 - DRIVERLESS	13 - NEGOTIATING A CURVE 14 - ENTERING OR CROSSING SPECIFIED LOCATION 15 - WALKING, RUNNING, JOGGING, PLAYING 16 - WORKING 17 - PUSHING VEHICLE
CONTRIBUTING CIRCUMSTANCES 0 6	1 - NONE 2 - FAILURE TO YIELD 3 - RAN RED LIGHT 4 - RAN STOP SIGN 5 - UNSAFE SPEED 6 - IMPROPER TURN	7 - LEFT OF CENTER 8 - FOLLOWING TOO CLOSE / ACDA 9 - IMPROPER LANE CHANGE 10 - IMPROPER PASSING 11 - DROVE OFF ROAD 12 - IMPROPER BACKING	13 - IMPROPER START FROM A PARKED POSITION 14 - STOPPED OR PARKED ILLEGALLY 15 - SWERVING TO AVOID 16 - WRONG WAY	17 - VISION OBSTRUCTION 18 - OPERATING DEFECTIVE EQUIPMENT 19 - LOAD SHIFTING/FALLING/ SPILLING 20 - IMPROPER CROSSING	21 - LYING IN ROADWAY 22 - NOT DISCERNIBLE 23 - OPENING DOOR INTO ROADWAY 99 - OTHER IMPROPER ACTION



SEQUENCE OF EVENTS	1 2 0	1 - OVERTURN/ROLLOVER 2 - FIRE/EXPLOSION 3 - IMMERSION 4 - JACKKNIFE 5 - CARGO / EQUIPMENT LOSS OR SHIFT	6 - EQUIPMENT FAILURE 7 - SEPARATION OF UNITS 8 - RAN OFF ROAD RIGHT 9 - RAN OFF ROAD LEFT 10 - CROSS MEDIAN	NON-COLLISION	11 - CROSS CENTERLINE - OPPOSITE DIRECTION OF TRAVEL 12 - DOWNHILL RUNAWAY 13 - OTHER NON-COLLISION 14 - PEDESTRIAN 15 - PEDALCYCLE	16 - RAILWAY VEHICLE 17 - ANIMAL - FARM 18 - ANIMAL - DEER 19 - ANIMAL - OTHER 20 - MOTOR VEHICLE IN TRANSPORT 21 - PARKED MOTOR VEHICLE	22 - WORK ZONE MAINTENANCE EQUIPMENT 23 - STRUCK BY FALLING, SHIFTING CARGO OR ANYTHING SET IN MOTION BY A MOTOR VEHICLE 24 - OTHER MOVABLE OBJECT
COLLISION WITH FIXED OBJECT - STRUCK	25 - IMPACT ATTENUATOR / CRASH CUSHION 26 - BRIDGE OVERHEAD STRUCTURE 27 - BRIDGE PIER OR ABUTMENT 28 - BRIDGE PARAPET 29 - BRIDGE RAIL 30 - GUARDRAIL FACE	31 - GUARDRAIL END 32 - PORTABLE BARRIER 33 - MEDIUM CABLE BARRIER 34 - MEDIUM GUARDRAIL BARRIER 35 - MEDIUM CONCRETE BARRIER 36 - MEDIUM OTHER BARRIER	37 - TRAFFIC SIGN POST 38 - OVERHEAD SIGN POST 39 - LIGHT / LUMINARIES SUPPORT 40 - UTILITY POLE 41 - OTHER POST, POLE OR SUPPORT 42 - CULVERT	43 - CURB 44 - DITCH 45 - EMBANKMENT 46 - FENCE 47 - MAILBOX 48 - TREE 49 - FIRE HYDRANT	50 - WORK ZONE MAINTENANCE EQUIPMENT 51 - WALL 52 - BUILDING 53 - TUNNEL 54 - OTHER FIXED OBJECT 99 - OTHER / UNKNOWN		
FIRST HARMFUL EVENT	1	MOST HARMFUL EVENT		1			

TRAFFICWAY FLOW	1	1 - ONE-WAY 2 - TWO-WAY	TRAFFIC CONTROL	6	1 - ROUNDABOUT 2 - SIGNAL 3 - FLASHER 4 - STOP SIGN 5 - YIELD SIGN 6 - NO CONTROL
# OF THROUGH LANES ON ROAD	2		RAIL GRADE CROSSING	1	1 - NOT INVOLVED 2 - INVOLVED-ACTIVE CROSSING 3 - INVOLVED-PASSIVE CROSSING
UNIT / NON-MOTORIST DIRECTION					
FROM		2	TO		4
UNIT SPEED	0 2 5		DETECTED SPEED	1	1 - STATED / ESTIMATED SPEED 2 - CALCULATED / EDR 3 - UNDETERMINED
POSTED SPEED	2 5				

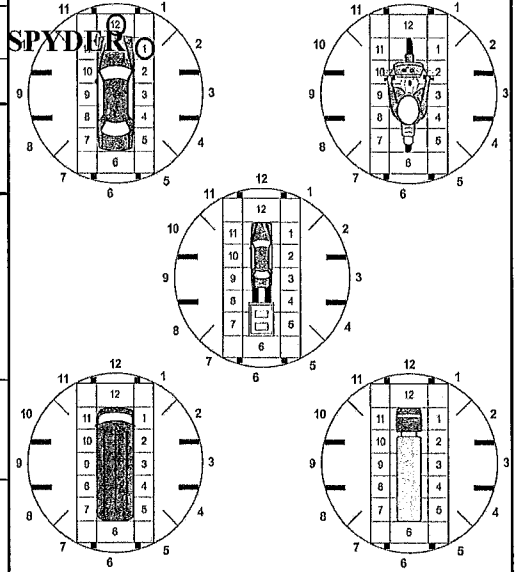
UNIT # 02 OWNER NAME: STANTON, HOLLY, RAE OWNER PHONE: Redacted per ORC 149.43 (A)(1)(m) OWNER ADDRESS: 3965 ALEESA DR SE, WARREN, OH 44484 COMMERCIAL CARRIER: NAME, ADDRESS, CITY, STATE, ZIP

LOCAL REPORT NUMBER 2023-00003769

DAMAGE DAMAGE SCALE 4 1 - NONE 2 - MINOR DAMAGE 3 - FUNCTIONAL DAMAGE 4 - DISABLING DAMAGE 9 - UNKNOWN

LP STATE OH LICENSE PLATE # HWU4650 VEHICLE IDENTIFICATION # 4A3AK24F98E007758 VEHICLE YEAR 2008 VEHICLE MAKE Mitsubishi INSURANCE COMPANY NATIONWIDE INSURANCE POLICY # 9234J205112 COLOR ORG VEHICLE MODEL ECLIPSE / SPYDER

DAMAGED AREA(S) INDICATE ALL THAT APPLY



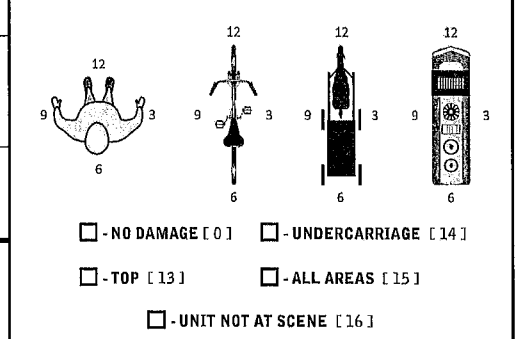
TYPE OF USE COMMERCIAL GOVERNMENT IN EMERGENCY RESPONSE US DOT # VEHICLE WEIGHT GVWR/GCWR 1 - <10K LBS. 2 - 10,001 - 26K LBS. 3 - >26K LBS. TOWED BY: COMPANY NAME City Service HAZARDOUS MATERIAL MATERIAL RELEASED CLASS # PLACARD ID #

UNIT TYPE 01 # OF TRAILING UNITS 00 WAS VEHICLE OPERATING IN AUTONOMOUS MODE WHEN CRASH OCCURRED? 2 AUTONOMOUS MODE LEVEL 0

SPECIAL FUNCTION 01 1 - NONE 2 - TAXI 3 - ELECTRONIC RIDE SHARING 4 - SCHOOL TRANSPORT 5 - BUS - TRANSIT/COMMUTER 6 - BUS - CHARTER/TOUR 7 - BUS - INTERCITY 8 - BUS - SHUTTLE 9 - BUS - OTHER 10 - AMBULANCE 11 - FIRE 12 - MILITARY 13 - POLICE 14 - PUBLIC UTILITY 15 - CONSTRUCTION EQUIPMENT 16 - FARM 17 - MOWING 18 - SNOW REMOVAL 19 - TOWING 20 - SAFETY SERVICE PATROL 21 - MAIL CARRIER 99 - OTHER / UNKNOWN

CARGO BODY TYPE 01 1 - NO CARGO BODY TYPE / NOT APPLICABLE 2 - BUS 3 - VEHICLE TOWING ANOTHER MOTOR VEHICLE 4 - LOGGING 5 - INTERMODAL CONTAINER CHASSIS 6 - CARGO VAN/ENCLOSED BOX 7 - GRAIN/CHIPS/GRAVEL 8 - POLE 9 - CARGO TANK 10 - FLAT BED 11 - DUMP 12 - CONCRETE MIXER 13 - AUTO TRANSPORTER 14 - GARBAGE/REFUSE 99 - OTHER / UNKNOWN

VEHICLE DEFECTS 1 - TURN SIGNALS 2 - HEAD LAMPS 3 - TAIL LAMPS 4 - BRAKES 5 - STEERING 6 - TIRE BLOWOUT 7 - WORN OR SLICK TIRES 8 - TRAILER EQUIPMENT DEFECTIVE 9 - MOTOR TROUBLE 10 - DISABLED FROM PRIOR ACCIDENT 99 - OTHER / UNKNOWN



NON-MOTORIST LOCATION AT IMPACT 1 - INTERSECTION - MARKED CROSSWALK 2 - INTERSECTION - UNMARKED CROSSWALK 3 - INTERSECTION - OTHER 4 - MIDDLEBLOCK - MARKED CROSSWALK 5 - TRAVEL LANE - OTHER LOCATION 6 - BICYCLE LANE 7 - SHOULDER / ROADSIDE 8 - SIDEWALK 9 - MEDIAN/CROSSING ISLAND 10 - DRIVEWAY ACCESS 11 - SHARED USE PATHS OR TRAILS 12 - FIRST RESPONDER AT INCIDENT SCENE 99 - OTHER / UNKNOWN

ACTION 4 PRE-CRASH ACTIONS 01 1 - NON-COLLISION 2 - NON-COLLISION 3 - STRIKING 4 - STRUCK 5 - BOTH STRIKING & STRUCK 9 - OTHER / UNKNOWN 1 - STRAIGHT AHEAD 2 - BACKING 3 - CHANGING LANES 4 - OVERTAKING/PASSING 5 - MAKING RIGHT TURN 6 - MAKING LEFT TURN 7 - MAKING U-TURN 8 - ENTERING TRAFFIC LANE 9 - LEAVING TRAFFIC LANE 10 - PARKED 11 - SLOWING OR STOPPED IN TRAFFIC 12 - DRIVERLESS 13 - NEGOTIATING A CURVE 14 - ENTERING OR CROSSING SPECIFIED LOCATION 15 - WALKING, RUNNING, JOGGING, PLAYING 16 - WORKING 17 - PUSHING VEHICLE 18 - APPROACHING OR LEAVING VEHICLE 19 - STANDING 20 - OTHER NON-MOTORIST 21 - STANDING OUTSIDE DISABLED VEHICLE 99 - OTHER / UNKNOWN

INITIAL POINT OF CONTACT 0 - NO DAMAGE 1 - 1-12 REFER TO UNIT DIAGRAM 13 - TOP 14 - UNDERCARRIAGE 15 - VEHICLE NOT AT SCENE 99 - UNKNOWN

CONTRIBUTING CIRCUMSTANCES 01 1 - NONE 2 - FAILURE TO YIELD 3 - RAN RED LIGHT 4 - RAN STOP SIGN 5 - UNSAFE SPEED 6 - IMPROPER TURN 7 - LEFT OF CENTER 8 - FOLLOWING TOO CLOSE / ACCA 9 - IMPROPER LANE CHANGE 10 - IMPROPER PASSING 11 - DROVE OFF ROAD 12 - IMPROPER BACKING 13 - IMPROPER START FROM A PARKED POSITION 14 - STOPPED OR PARKED ILLEGALLY 15 - SWERVING TO AVOID 16 - WRONG WAY 17 - VISION OBSTRUCTION 18 - OPERATING DEFECTIVE EQUIPMENT 19 - LOAD SHIFTING/FALLING/SPILLING 20 - IMPROPER CROSSING 21 - LYING IN ROADWAY 22 - NOT DISCERNIBLE 23 - OPENING DOOR INTO ROADWAY 99 - OTHER IMPROPER ACTION

TRAFFICWAY FLOW 1 1 - ONE-WAY 2 - TWO-WAY TRAFFIC CONTROL 6 1 - ROUNDABOUT 2 - SIGNAL 3 - FLASHER 4 - STOP SIGN 5 - YIELD SIGN 6 - NO CONTROL

SEQUENCE OF EVENTS 2, 0 1 - OVERTURN/ROLLOVER 2 - FIRE/EXPLOSION 3 - IMMERSION 4 - JACKKNIFE 5 - CARGO / EQUIPMENT LOSS OR SHIFT 6 - EQUIPMENT FAILURE 7 - SEPARATION OF UNITS 8 - RAN OFF ROAD RIGHT 9 - RAN OFF ROAD LEFT 10 - CROSS MEDIAN 11 - CROSS CENTERLINE - OPPOSITE DIRECTION OF TRAVEL 12 - DOWNHILL RUNAWAY 13 - OTHER NON-COLLISION 14 - PEDESTRIAN 15 - PEDALCYCLE 16 - RAILWAY VEHICLE 17 - ANIMAL - FARM 18 - ANIMAL - DEER 19 - ANIMAL - OTHER 20 - MOTOR VEHICLE IN TRANSPORT 21 - PARKED MOTOR VEHICLE 22 - WORK ZONE MAINTENANCE EQUIPMENT 23 - STRUCK BY FALLING, SHIFTING CARGO OR ANYTHING SET IN MOTION BY A MOTOR VEHICLE 24 - OTHER MOVABLE OBJECT

OF THROUGH LANES ON ROAD 2 RAIL GRADE CROSSING 1 1 - NOT INVOLVED 2 - INVOLVED-ACTIVE CROSSING 3 - INVOLVED-PASSIVE CROSSING

COLLISION WITH FIXED OBJECT - STRUCK 1 - IMPACT ATTENUATOR / CRASH CUSHION 2 - BRIDGE OVERHEAD STRUCTURE 25 - BRIDGE PIER OR ABUTMENT 26 - BRIDGE PARAPET 27 - BRIDGE RAIL 28 - GUARDRAIL FACE 29 - GUARDRAIL END 30 - PORTABLE BARRIER 31 - MEDIAN CABLE BARRIER 32 - MEDIAN GUARDRAIL BARRIER 33 - MEDIAN CONCRETE BARRIER 34 - GUARDRAIL FACE 35 - GUARDRAIL END 36 - PORTABLE BARRIER 37 - TRAFFIC SIGN POST 38 - OVERHEAD SIGN POST 39 - LIGHT / LUMINARIES SUPPORT 40 - UTILITY POLE 41 - OTHER POST, POLE OR SUPPORT 42 - CULVERT 43 - CURB 44 - DITCH 45 - EMBANKMENT 46 - FENCE 47 - MAILBOX 48 - TREE 49 - FIRE HYDRANT 50 - WORK ZONE MAINTENANCE EQUIPMENT 51 - WALL 52 - BUILDING 53 - TUNNEL 54 - OTHER FIXED OBJECT 99 - OTHER / UNKNOWN

UNIT / NON-MOTORIST DIRECTION FROM 2 TO 1 1 - NORTH 2 - SOUTH 3 - EAST 4 - WEST 5 - NORTHEAST 6 - NORTHWEST 7 - SOUTHEAST 8 - SOUTHWEST 9 - OTHER / UNKNOWN

UNIT SPEED 020 POSTED SPEED 25 DETECTED SPEED 1 1 - STATED / ESTIMATED SPEED 2 - CALCULATED / EDR 3 - UNDETERMINED



MOTORIST / Non-MOTORIST

LOCAL REPORT NUMBER
 2 0 2 3 - 0 0 0 0 3 7 6 9

UNIT # 0 1	NAME: LAST, FIRST, MIDDLE POL, DAWN, MARIE			DATE OF BIRTH 0 7 0 6 1 9 7 6		AGE 4 6	GENDER F		
ADDRESS: STREET, CITY, STATE, ZIP 4190 1/2 HATTRICK RD ,Rootstown ,OH 44272				CONTACT PHONE - INCLUDE AREA CODE Redacted per ORC 149.43 (A)(1)(mm)					
INJURIES 5	INJURED TAKEN BY	EMS AGENCY (NAME)	INJURED TAKEN TO: MEDICAL FACILITY (NAME, CITY)	SAFETY EQUIPMENT USED 0 4	<input type="checkbox"/> DOT-COMPLIANT MC HELMET	SEATING POSITION 0 1	AIR BAG USAGE 1	EJECTION 1	TRAPPED 1
OL STATE O H	OPERATOR LICENSE NUMBER Redacted per ORC 4501:1-12		OFFENSE CHARGED 331.08	LOCAL CODE <input checked="" type="checkbox"/>	OFFENSE DESCRIPTION Driving in Marked La		CITATION NUMBER 24921		
OL CLASS 4	ENDORSEMENT SELECT UP TO 2	RESTRICTION SELECT UP TO 3	DRIVER DISTRACTED BY 1	ALCOHOL / DRUG SUSPECTED <input type="checkbox"/> ALCOHOL <input type="checkbox"/> MARIJUANA <input type="checkbox"/> OTHER DRUG		CONDITION 1	ALCOHOL TEST STATUS TYPE VALUE 1 1		DRUG TEST(S) STATUS TYPE RESULT SELECT UP TO 4 1 1

UNIT # 0 2	NAME: LAST, FIRST, MIDDLE STANTON, DYLAN, MICHAEL			DATE OF BIRTH 0 1 1 4 2 0 0 3		AGE 2 0	GENDER M		
ADDRESS: STREET, CITY, STATE, ZIP 3965 ALEESA DR SE ,WARREN ,OH 44484				CONTACT PHONE - INCLUDE AREA CODE Redacted per ORC 149.43 (A)(1)(mm)					
INJURIES 5	INJURED TAKEN BY	EMS AGENCY (NAME)	INJURED TAKEN TO: MEDICAL FACILITY (NAME, CITY)	SAFETY EQUIPMENT USED 0 4	<input type="checkbox"/> DOT-COMPLIANT MC HELMET	SEATING POSITION 0 1	AIR BAG USAGE 1	EJECTION 1	TRAPPED 1
OL STATE O H	OPERATOR LICENSE NUMBER Redacted per ORC 4501:1-12		OFFENSE CHARGED	LOCAL CODE <input type="checkbox"/>	OFFENSE DESCRIPTION		CITATION NUMBER		
OL CLASS 4	ENDORSEMENT SELECT UP TO 2	RESTRICTION SELECT UP TO 3	DRIVER DISTRACTED BY 1	ALCOHOL / DRUG SUSPECTED <input type="checkbox"/> ALCOHOL <input type="checkbox"/> MARIJUANA <input type="checkbox"/> OTHER DRUG		CONDITION 1	ALCOHOL TEST STATUS TYPE VALUE 1 1		DRUG TEST(S) STATUS TYPE RESULT SELECT UP TO 4 1 1

UNIT #	NAME: LAST, FIRST, MIDDLE			DATE OF BIRTH		AGE	GENDER		
ADDRESS: STREET, CITY, STATE, ZIP				CONTACT PHONE - INCLUDE AREA CODE					
INJURIES	INJURED TAKEN BY	EMS AGENCY (NAME)	INJURED TAKEN TO: MEDICAL FACILITY (NAME, CITY)	SAFETY EQUIPMENT USED	<input type="checkbox"/> DOT-COMPLIANT MC HELMET	SEATING POSITION	AIR BAG USAGE	EJECTION	TRAPPED
OL STATE	OPERATOR LICENSE NUMBER		OFFENSE CHARGED	LOCAL CODE	OFFENSE DESCRIPTION		CITATION NUMBER		
OL CLASS	ENDORSEMENT SELECT UP TO 2	RESTRICTION SELECT UP TO 3	DRIVER DISTRACTED BY	ALCOHOL / DRUG SUSPECTED <input type="checkbox"/> ALCOHOL <input type="checkbox"/> MARIJUANA <input type="checkbox"/> OTHER DRUG		CONDITION	ALCOHOL TEST STATUS TYPE VALUE		DRUG TEST(S) STATUS TYPE RESULT SELECT UP TO 4

INJURIES	SEATING POSITION	AIR BAG	OL CLASS	OL RESTRICTION(S)	DRIVER DISTRACTION	TEST STATUS
1 - FATAL 2 - SUSPECTED SERIOUS INJURY 3 - SUSPECTED MINOR INJURY 4 - POSSIBLE INJURY 5 - NO APPARENT INJURY	1 - FRONT - LEFT SIDE (MOTORCYCLE DRIVER) 2 - FRONT - MIDDLE 3 - FRONT - RIGHT SIDE 4 - SECOND - LEFT SIDE (MOTORCYCLE PASSENGER) 5 - SECOND - MIDDLE 6 - SECOND - RIGHT SIDE 7 - THIRD - LEFT SIDE (MOTORCYCLE SIDE CAR) 8 - THIRD - MIDDLE 9 - THIRD - RIGHT SIDE 10 - SLEEPER SECTION OF TRUCK CAB 11 - PASSENGER IN OTHER ENCLOSED CARGO AREA (NON-TRAILING UNIT, BUS, PICK-UP WITH CAP) 12 - PASSENGER IN UNENCLOSED CARGO AREA 13 - TRAILING UNIT 14 - RIDING ON VEHICLE EXTERIOR (NON-TRAILING UNIT) 15 - NON-MOTORIST 99 - OTHER / UNKNOWN	1 - NOT DEPLOYED 2 - DEPLOYED FRONT 3 - DEPLOYED SIDE 4 - DEPLOYED BOTH FRONT / SIDE 5 - NOT APPLICABLE 9 - DEPLOYMENT UNKNOWN	1 - CLASS A 2 - CLASS B 3 - CLASS C 4 - REGULAR CLASS (OHIO = D) 5 - M/C MOPED ONLY 6 - NO VALIO OL	1 - ALCOHOL INTERLOCK DEVICE 2 - CDL INTRASTATE ONLY 3 - CORRECTIVE LENSES 4 - FARM WAIVER 5 - EXCEPT CLASS A BUS 6 - EXCEPT CLASS A & CLASS B BUS 7 - EXCEPT TRACTOR-TRAILER 8 - INTERMEDIATE LICENSE RESTRICTIONS 9 - LEARNER'S PERMIT RESTRICTIONS 10 - LIMITED TO DAYLIGHT ONLY 11 - LIMITED TO EMPLOYMENT 12 - LIMITED - OTHER 13 - MECHANICAL DEVICES (SPECIAL BRAKES, HAND CONTROLS, OR OTHER ADAPTIVE DEVICES) 14 - MILITARY VEHICLES ONLY 15 - MOTOR VEHICLES WITHOUT AIR BRAKES 16 - OUTSIDE MIRROR 17 - PROSTHETIC AID 18 - OTHER	1 - NOT DISTRACTED 2 - MANUALLY OPERATING AN ELECTRONIC COMMUNICATION DEVICE (TEXTING, TYPING, DIALING) 3 - TALKING ON HANDS-FREE COMMUNICATION DEVICE 4 - TALKING ON HAND-HELD COMMUNICATION DEVICE 5 - OTHER ACTIVITY WITH AN ELECTRONIC DEVICE 6 - PASSENGER 7 - OTHER DISTRACTION INSIDE THE VEHICLE 8 - OTHER DISTRACTION OUTSIDE THE VEHICLE 9 - OTHER / UNKNOWN	1 - NONE GIVEN 2 - TEST REFUSED 3 - TEST GIVEN, CONTAMINATED SAMPLE / UNUSABLE 4 - TEST GIVEN, RESULTS KNOWN 5 - TEST GIVEN, RESULTS UNKNOWN
INJURED TAKEN BY 1 - NOT TRANSPORTED / TREATED AT SCENE 2 - EMS 3 - POLICE 9 - OTHER / UNKNOWN		EJECTION 1 - NOT EJECTED 2 - PARTIALLY EJECTED 3 - TOTALLY EJECTED 4 - NOT APPLICABLE	OL ENDORSEMENT H - HAZMAT M - MOTORCYCLE P - PASSENGER N - TANKER Q - MOTOR SCOOTER R - THREE-WHEEL MOTORCYCLE S - SCHOOL BUS T - DOUBLE & TRIPLE TRAILERS X - TANKER / HAZMAT			ALCOHOL TEST TYPE 1 - NONE 2 - BLOOD 3 - URINE 4 - BREATH 5 - OTHER
SAFETY EQUIPMENT 1 - NONE USED 2 - SHOULDER BELT ONLY USED 3 - LAP BELT ONLY USED 4 - SHOULDER & LAP BELT USED 5 - CHILD RESTRAINT SYSTEM - FORWARD FACING 6 - CHILD RESTRAINT SYSTEM - REAR FACING 7 - BOOSTER SEAT 8 - HELMET USED 9 - PROTECTIVE PADS USED (ELBOW, KNEES, ETC.) 10 - REFLECTIVE CLOTHING 11 - LIGHTING - PEDESTRIAN / BICYCLE ONLY 99 - OTHER / UNKNOWN		TRAPPED 1 - NOT TRAPPED 2 - EXTRICATED BY MECHANICAL MEANS 3 - FREED BY NON-MECHANICAL MEANS	GENDER F - FEMALE M - MALE U - OTHER / UNKNOWN		CONDITION 1 - APPARENTLY NORMAL 2 - PHYSICAL IMPAIRMENT 3 - EMOTIONAL (E.G., DEPRESSED, ANGRY, DISTURBED) 4 - ILLNESS 5 - FELL ASLEEP, FAINTED, FATIGUED, ETC. 6 - UNDER THE INFLUENCE OF MEDICATIONS / DRUGS / ALCOHOL 9 - OTHER / UNKNOWN	DRUG TEST TYPE 1 - NONE 2 - BLOOD 3 - URINE 4 - OTHER
						DRUG TEST RESULT(S) 1 - AMPHETAMINES 2 - BARBITURATES 3 - BENZODIAZEPINES 4 - CANNABINOIDS 5 - COCAINE 6 - OPIATES / OPIOIDS 7 - OTHER 8 - NEGATIVE RESULTS



Narrative Continuation

LOCAL REPORT NUMBER

2 0 2 3 - 0 0 0 0 3 7 6 9

[Empty narrative continuation area]